

**INCH-POUND**

**MIL-STD-1553C  
28 February 2018**

---

**SUPERSEDING  
MIL-STD-1553B  
21 September 1978**

**DEPARTMENT OF DEFENSE  
INTERFACE STANDARD**

**DIGITAL TIME DIVISION COMMAND/RESPONSE  
MULTIPLEX DATA BUS**



**AMSC N/A**

**AREA AVCS**

**DISTRIBUTION STATEMENT A. Approved for public release. Distribution is unlimited.**

## MIL-STD-1553C

### FOREWORD

1. This standard is approved for use by all Departments and Agencies of the Department of Defense.
2. This standard contains requirements for a digital time division command/response multiplex data bus for use in systems integration. Even with the use of this standard, differences may exist between multiplex data buses in different system applications due to particular application requirements and the designer options allowed in this standard. The system designer must recognize this fact and design the multiplex bus controller hardware and software to accommodate such differences. These designer selected options must exist to allow the necessary flexibility in the design of specific multiplex systems in order to provide for the control mechanism, architectural redundancy, degradation concept and traffic patterns peculiar to the specific application requirements. Appendix, section [A.2](#) selects those options which are required and further restricts certain portions of the standard for use in all dual standby redundant applications for the Army, Navy, and Air Force.
3. Comments, suggestions, or questions on this document should be addressed to AFLCMC/EZSS, 2145 Monahan Way, Wright-Patterson AFB, OH 45433-7017 or emailed to [AFLCMC/EN\\_EZ\\_Engineering\\_Standards@us.af.mil](mailto:AFLCMC/EN_EZ_Engineering_Standards@us.af.mil). Since contact information can change, you may want to verify the currency of this address information using the ASSIST Online database at <https://assist.dla.mil>.

**MIL-STD-1553C****CONTENTS**

<b>PARAGRAPH</b>	<b>PAGE</b>
1. SCOPE.....	1
1.1 Scope.....	1
1.2 Application .....	1
2. APPLICABLE DOCUMENTS .....	1
2.1 General.....	1
2.2 Government documents.....	1
2.2.1 Specifications, standards, and handbooks.....	1
2.3 Order of precedence.....	10
3. DEFINITIONS .....	2
3.1 Asynchronous operation.....	2
3.2 Bit .....	2
3.3 Bit rate.....	2
3.4 Broadcast.....	2
3.5 Bus controller (BC) .....	2
3.6 Bus monitor (BM).....	2
3.7 Command/response.....	2
3.8 Data bus .....	2
3.9 Dynamic bus control .....	2
3.10 Half duplex.....	2
3.11 Message.....	3
3.12 Mode code.....	3
3.13 Pulse code modulation (PCM).....	3
3.14 Redundant data bus .....	3
3.15 Remote terminal (RT).....	3
3.16 Subsystem .....	3
3.17 Terminal.....	3
3.18 Time division multiplexing (TDM) .....	3
3.19 Word.....	3
4. GENERAL REQUIREMENTS.....	3
4.1 Test and operating requirements .....	3
4.2 Data bus operation.....	3
4.3 Characteristics.....	4
4.3.1 Data form.....	4
4.3.2 Bit priority.....	4
4.3.3 Transmission method.....	5
4.3.3.1 Modulation .....	5

**MIL-STD-1553C****CONTENTS**

<b>PARAGRAPH</b>	<b>PAGE</b>
4.3.3.2 Data code.....	5
4.3.3.3 Transmission bit rate.....	5
4.3.3.4 Word size.....	5
4.3.3.5 Word formats.....	6
4.3.3.5.1 Command word.....	6
4.3.3.5.1.1 Sync.....	6
4.3.3.5.1.2 Remote terminal address.....	7
4.3.3.5.1.3 Transmit/receive (T/R).....	7
4.3.3.5.1.4 Subaddress/mode.....	7
4.3.3.5.1.5 Data word count/mode code.....	7
4.3.3.5.1.6 Parity.....	8
4.3.3.5.1.7 Optional mode control.....	8
4.3.3.5.1.7.1 Dynamic bus control.....	8
4.3.3.5.1.7.2 Synchronize (without data word).....	8
4.3.3.5.1.7.3 Transmit status word.....	8
4.3.3.5.1.7.4 Initiate self test.....	8
4.3.3.5.1.7.5 Transmitter shutdown.....	8
4.3.3.5.1.7.6 Override transmitter shutdown.....	19
4.3.3.5.1.7.7 Inhibit terminal flag (T/F) bit.....	19
4.3.3.5.1.7.8 Override inhibit T/F bit.....	19
4.3.3.5.1.7.9 Reset remote terminal.....	19
4.3.3.5.1.7.10 Reserved mode codes (01001 to 01111).....	19
4.3.3.5.1.7.11 Transmit vector word.....	19
4.3.3.5.1.7.12 Synchronize (with data word).....	19
4.3.3.5.1.7.13 Transmit last command word.....	19
4.3.3.5.1.7.14 Transmit built-in-test (BIT) word.....	19
4.3.3.5.1.7.15 Selected transmitter shutdown.....	11
4.3.3.5.1.7.16 Override selected transmitter shutdown.....	11
4.3.3.5.1.7.17 Reserved mode codes (10110 to 11111).....	11
4.3.3.5.2 Data word.....	11
4.3.3.5.2.1 Sync.....	11
4.3.3.5.2.2 Data.....	12
4.3.3.5.2.3 Parity.....	12
4.3.3.5.3 Status word.....	12
4.3.3.5.3.1 Sync.....	12
4.3.3.5.3.2 RT address.....	12

**MIL-STD-1553C****CONTENTS**

<b>PARAGRAPH</b>	<b>PAGE</b>
4.3.3.5.3.3 Message error bit .....	12
4.3.3.5.3.4 Instrumentation bit .....	12
4.3.3.5.3.5 Service request bit .....	12
4.3.3.5.3.6 Reserved status bits .....	13
4.3.3.5.3.7 Broadcast command received bit .....	13
4.3.3.5.3.8 Busy bit.....	13
4.3.3.5.3.9 Subsystem flag bit .....	13
4.3.3.5.3.10 Dynamic bus control acceptance bit .....	13
4.3.3.5.3.11 Terminal flag bit .....	13
4.3.3.5.3.12 Parity bit .....	13
4.3.3.5.4 Status word reset.....	14
4.3.3.6 Message formats .....	14
4.3.3.6.1 Bus controller to remote terminal transfers .....	14
4.3.3.6.2 Remote terminal to bus controller transfers.....	14
4.3.3.6.3 Remote terminal to remote terminal transfers.....	14
4.3.3.6.4 Mode command without data word .....	14
4.3.3.6.5 Mode command with data word (transmit).....	14
4.3.3.6.6 Mode command with data word (receive).....	17
4.3.3.6.7 Optional broadcast command .....	17
4.3.3.6.7.1 Bus controller to remote terminal(s) transfer (broadcast).....	17
4.3.3.6.7.2 Remote terminal to remote terminal(s) transfers (broadcast) .....	17
4.3.3.6.7.3 Mode command without data word (broadcast) .....	17
4.3.3.6.7.4 Mode command with data word (broadcast).....	17
4.3.3.7 Intermessage gap .....	17
4.3.3.8 Response time .....	21
4.3.3.9 Minimum no-response time-out .....	21
4.4 Terminal operation .....	21
4.4.1 Common operation .....	21
4.4.1.1 Word validation .....	21
4.4.1.2 Transmission continuity.....	21
4.4.1.3 Terminal fail-safe .....	21
4.4.2 Bus controller operation .....	22
4.4.3 Remote terminal.....	22
4.4.3.1 Operation.....	22
4.4.3.2 Superseding valid commands.....	22
4.4.3.3 Invalid commands.....	22

**MIL-STD-1553C****CONTENTS**

<b>PARAGRAPH</b>	<b>PAGE</b>
4.4.3.4 Illegal command .....	22
4.4.3.5 Valid data reception .....	22
4.4.3.6 Invalid data reception.....	23
4.4.4 Bus monitor operation .....	23
4.5 Hardware characteristics .....	23
4.5.1 Data bus characteristics .....	23
4.5.1.1 Cable .....	23
4.5.1.2 Characteristic impedance .....	23
4.5.1.3 Cable attenuation .....	23
4.5.1.4 Cable termination .....	23
4.5.1.5 Cable stub requirements .....	23
4.5.1.5.1 Transformer coupled stubs.....	24
4.5.1.5.1.1 Coupling transformer .....	24
4.5.1.5.1.1.1 Transformer input impedance .....	24
4.5.1.5.1.1.2 Transformer waveform integrity.....	24
4.5.1.5.1.1.3 Transformer common mode rejection.....	24
4.5.1.5.1.2 Fault isolation.....	24
4.5.1.5.1.3 Cable coupling.....	25
4.5.1.5.1.4 Stub voltage requirements .....	25
4.5.1.5.2 Direct coupled stubs .....	25
4.5.1.5.2.1 Fault isolation.....	25
4.5.1.5.2.2 Cable coupling.....	25
4.5.1.5.2.3 Stub voltage requirements .....	25
4.5.1.5.3 Wiring and cabling for EMC .....	25
4.5.2 Terminal characteristics .....	26
4.5.2.1 Terminals with transformer coupled stubs .....	26
4.5.2.1.1 Terminal output characteristics.....	26
4.5.2.1.1.1 Output levels.....	26
4.5.2.1.1.2 Output waveform.....	26
4.5.2.1.1.3 Output noise .....	27
4.5.2.1.1.4 Output symmetry.....	27
4.5.2.1.2 Terminal input characteristics .....	27
4.5.2.1.2.1 Input waveform compatibility .....	28
4.5.2.1.2.2 Common mode rejections.....	28
4.5.2.1.2.3 Input impedance .....	28
4.5.2.1.2.4 Noise rejection .....	28

**MIL-STD-1553C****CONTENTS**

<b>PARAGRAPH</b>	<b>PAGE</b>
4.5.2.2 Terminals with direct coupled stubs .....	31
4.5.2.2.1 Terminal output characteristics.....	31
4.5.2.2.1.1 Output levels.....	31
4.5.2.2.1.2 Output waveform.....	31
4.5.2.2.1.3 Output noise .....	31
4.5.2.2.1.4 Output symmetry.....	31
4.5.2.2.2 Terminal input characteristics .....	31
4.5.2.2.2.1 Input waveform compatibility .....	31
4.5.2.2.2.2 Common mode rejections.....	32
4.5.2.2.2.3 Input impedance .....	32
4.5.2.2.2.4 Noise rejection .....	32
4.6 Redundant data bus requirements.....	32
4.6.1 Electrical isolation .....	32
4.6.2 Single event failures .....	32
4.6.3 Dual standby redundant data bus.....	32
4.6.3.1 Data bus activity .....	33
4.6.3.2 Superseding valid commands.....	33
5. DETAILED REQUIREMENTS .....	33
6. NOTES .....	33
6.1 Intended use .....	33
6.2 Acquisition requirements.....	42
6.3 Subject term (key word) listing.....	33
6.4 International standardization agreement implementation.....	34
6.5 Changes from previous issue .....	34

**MIL-STD-1553C****CONTENTS**

<b>PARAGRAPH</b>	<b>CONTENTS</b>	<b>PAGE</b>
	<b>APPENDIX A</b>	
A.1.	SCOPE.....	35
A.1.1	Redundancy .....	35
A.1.2	Bus controller .....	36
A.1.3	Multiplex selection criteria.....	36
A.1.4	High reliability requirements.....	37
A.1.5	Stubbing.....	37
A.1.6	Use of broadcast option .....	38
A.2.	GENERAL REQUIREMENTS.....	38
A.2.1	Option selection .....	38
A.2.2	Application.....	38
A.2.3	Unique address (4.3.3.5.1.2) .....	38
A.2.4	Mode codes (4.3.3.5.1.7).....	38
A.2.4.1	Subaddress/mode (4.3.3.5.1.4) .....	38
A.2.4.2	Required mode codes (4.3.3.5.1.7).....	39
A.2.4.2.1	Remote terminal required mode codes.....	39
A.2.4.2.2	Bus controller required mode codes .....	39
A.2.4.3	Reset remote terminal (4.3.3.5.1.7.9) .....	39
A.2.4.4	Initiate RT self test (4.3.3.5.1.7.4).....	39
A.2.5	Status word bits (4.3.3.5.3) .....	49
A.2.5.1	Information content .....	49
A.2.5.2	Status bit requirements (4.3.3.5.3).....	49
A.2.5.3	Busy bit (4.3.3.5.3.8).....	49
A.2.6	Broadcast (4.3.3.6.7).....	40
A.2.7	Data wrap-around (4.3.3.5.1.4) .....	41
A.2.8	Message formats (4.3.3.6).....	41
A.2.9	RT to RT validation (4.3.3.9) .....	41
A.2.10	Electrical characteristics (4.5).....	41
A.2.10.1	Cable shielding (4.5.1.1).....	41
A.2.10.2	Shielding (4.5.1) .....	41
A.2.10.3	Connector polarity .....	41
A.2.10.4	Characteristic impedance (4.5.1.2).....	42
A.2.10.5	Stub coupling (4.5.1.5).....	42
A.2.10.6	Power on/off noise .....	42



**MIL-STD-1553C****CONTENTS**

<b>PARAGRAPH</b>		<b>PAGE</b>
	<b>FIGURES</b>	
FIGURE 1. Sample multiplex data bus architecture.....		4
FIGURE 2. Data encoding.....		5
FIGURE 3. Word formats.....		6
FIGURE 4. Command and status sync.....		7
FIGURE 5. Data sync.....		11
FIGURE 6. Information transfer formats.....		15
FIGURE 7. Broadcast information transfer formats.....		16
FIGURE 8. Intermessage gap and response time.....		18
FIGURE 9. Data bus interface using transformer coupling.....		19
FIGURE 10. Data bus interface using direct coupling.....		29
FIGURE 11. Coupling transformer.....		24
FIGURE 12. Terminal I/O characteristics for transformer coupled and direct coupled stubs.....		26
FIGURE 13. Output waveform.....		27
FIGURE A-1. Illustration of possible redundancy.....		35
FIGURE A-2. Illustration of possible redundancy.....		36

**TABLES**

TABLE I. Assigned mode codes.....	9
TABLE II. Criteria for acceptance or rejection of a terminal for the noise rejection test.....	29

## MIL-HDBK-1553C

### 1. SCOPE

#### 1.1 Scope

This standard establishes requirements for digital, command/response, time division multiplexing (data bus) techniques. It encompasses the data bus line and its interface electronics, and also defines the concept of operation and information flow on the multiplex data bus and the electrical and functional formats to be employed.

#### 1.2 Application

When invoked in a specification or statement of work, these requirements should apply to the multiplex data bus and associated equipment which is developed either alone or as a portion of a weapon system or subsystem development.

### 2. APPLICABLE DOCUMENTS

#### 2.1 General

The documents listed in this section are specified in sections 3, 4, or 5 of this standard. This section does not include documents cited in other sections of this standard or recommended for additional information or as examples. While every effort has been made to ensure the completeness of this list, document users are cautioned that they must meet all specified requirements of documents cited in sections 3, 4, or 5 of this standard, whether or not they are listed.

#### 2.2 Government documents

##### 2.2.1 Specifications, standards, and handbooks

The following specifications, standards, and handbooks form a part of this document to the extent specified herein. Unless otherwise specified, the issues of these documents are those cited in the solicitation or contract.

#### DEPARTMENT OF DEFENSE STANDARDS

MIL-STD-464	Electromagnetic Environmental Effects Requirements for Systems
-------------	--

(Copies of these documents are available online at <http://quicksearch.dla.mil>.)

#### 2.3 Order of precedence.

Unless otherwise noted herein or in the contract, in the event of a conflict between the text of this document and the references cited herein, the text of this document takes precedence. Nothing in this document, however, supersedes applicable laws and regulations unless a specific exemption has been obtained.

## MIL-STD-1553C

### 3. DEFINITIONS

#### 3.1 Asynchronous operation

For the purpose of this standard, asynchronous operation is the use of an independent clock source in each terminal for message transmission. Decoding is achieved in receiving terminals using clock information derived from the message.

#### 3.2 Bit

Contraction of binary digit: may be either zero or one. In information theory a binary digit is equal to one binary decision or the designation of one of two possible values or states of anything used to store or convey information.

#### 3.3 Bit rate

The number of bits transmitted per second.

#### 3.4 Broadcast

Operation of a data bus system such that information transmitted by the bus controller or a remote terminal is addressed to more than one of the remote terminals connected to the data bus.

#### 3.5 Bus controller (BC)

The terminal assigned the task of initiating information transfers on the data bus.

#### 3.6 Bus monitor (BM)

The terminal assigned the task of receiving bus traffic and extracting selected information to be used at a later time.

#### 3.7 Command/response

Operation of a data bus system such that remote terminals receive and transmit data only when commanded to do so by the bus controller.

#### 3.8 Data bus

All the hardware including twisted shielded pair cables, isolation resistors, transformers, etc., required to provide a single data path between the bus controller and all the associated remote terminals and bus monitors.

#### 3.9 Dynamic bus control

The operation of a data bus system in which designated terminals are offered control of the data bus.

#### 3.10 Half duplex

Operation of a data transfer system in either direction over a single line, but not in both directions on that line simultaneously.

## MIL-STD-1553C

### 3.11 Message

A single message is the transmission of a command word, status word, and data words if they are specified. For the case of a remote terminal to remote terminal (RT to RT) transmission, the message will include the two command words, the two status words, and data words.

### 3.12 Mode code

A means by which the bus controller can communicate with the multiplex bus related hardware, in order to assist in the management of information flow.

### 3.13 Pulse code modulation (PCM)

The form of modulation in which the modulation signal is sampled, quantized, and coded so that each element of information consists of different types or numbers of pulses and spaces.

### 3.14 Redundant data bus

The use of more than one data bus to provide more than one data path between the subsystems, i.e., dual redundant data bus, tri-redundant data bus, etc.

### 3.15 Remote terminal (RT)

All terminals not operating as the bus controller or as a bus monitor.

### 3.16 Subsystem

The device or functional unit receiving data transfer service from the data bus.

### 3.17 Terminal

The electronic module necessary to interface the data bus with the subsystem and the subsystem with the data bus. Terminals may exist as separate line replaceable units (LRU's) or be contained within the elements of the subsystem.

### 3.18 Time division multiplexing (TDM)

The transmission of information from several signal sources through one communication system with different signal samples staggered in time to form a composite pulse train.

### 3.19 Word

In this document a word is a sequence of 16 bits plus sync and parity. There are three types of words: command, status and data.

## 4. GENERAL REQUIREMENTS

### 4.1 Test and operating requirements

All requirements as specified herein shall be valid over the environmental conditions which the multiplex data bus system shall be required to operate.

### 4.2 Data bus operation

The multiplex data bus system in its most elemental configuration shall be as shown on [FIGURE 1](#). The multiplex data bus system shall function asynchronously in a command/response mode,

## MIL-STD-1553C

and transmission shall occur in a half-duplex manner. Sole control of information transmission on the bus shall reside with the bus controller, which shall initiate all transmissions. The information flow on the data bus shall be comprised of messages which are, in turn, formed by three types of words (command, data, and status) as defined in 4.3.3.5.

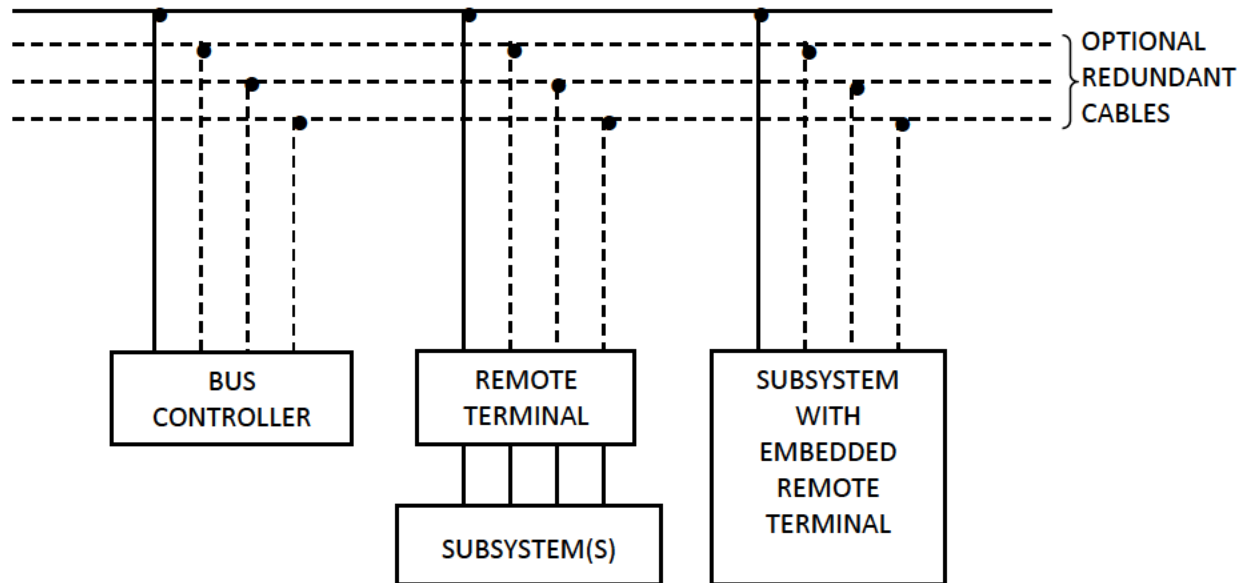


FIGURE 1. Sample multiplex data bus architecture.

### 4.3 Characteristics

#### 4.3.1 Data form

Digital data may be transmitted in any desired form, provided that the chosen form shall be compatible with the message and word formats defined in this standard. Any unused bit positions in a word shall be transmitted as logic zeros.

#### 4.3.2 Bit priority

The most significant bit shall be transmitted first with the less significant bits following in descending order of value in the data word. The number of bits required to define a quantity shall be consistent with the resolution or accuracy required. In the event that multiple precision quantities (information accuracy or resolution requiring more than 16 bits) are transmitted, the most significant bits shall be transmitted first, followed by the word(s) containing the lesser significant bits in numerical descending order. Bit packing of multiple quantities in a single data word is permitted.

## MIL-STD-1553C

## 4.3.3 Transmission method

## 4.3.3.1 Modulation

The signal shall be transferred over the data bus in serial digital pulse code modulation form.

## 4.3.3.2 Data code

The data code shall be Manchester II bi-phase level. A logic one shall be transmitted as a bipolar coded signal 1/0 (i.e., a positive pulse followed by a negative pulse). A logic zero shall be a bipolar coded signal 0/1 (i.e., a negative pulse followed by a positive pulse). A transition through zero occurs at the midpoint of each bit time (see [FIGURE 2](#)).

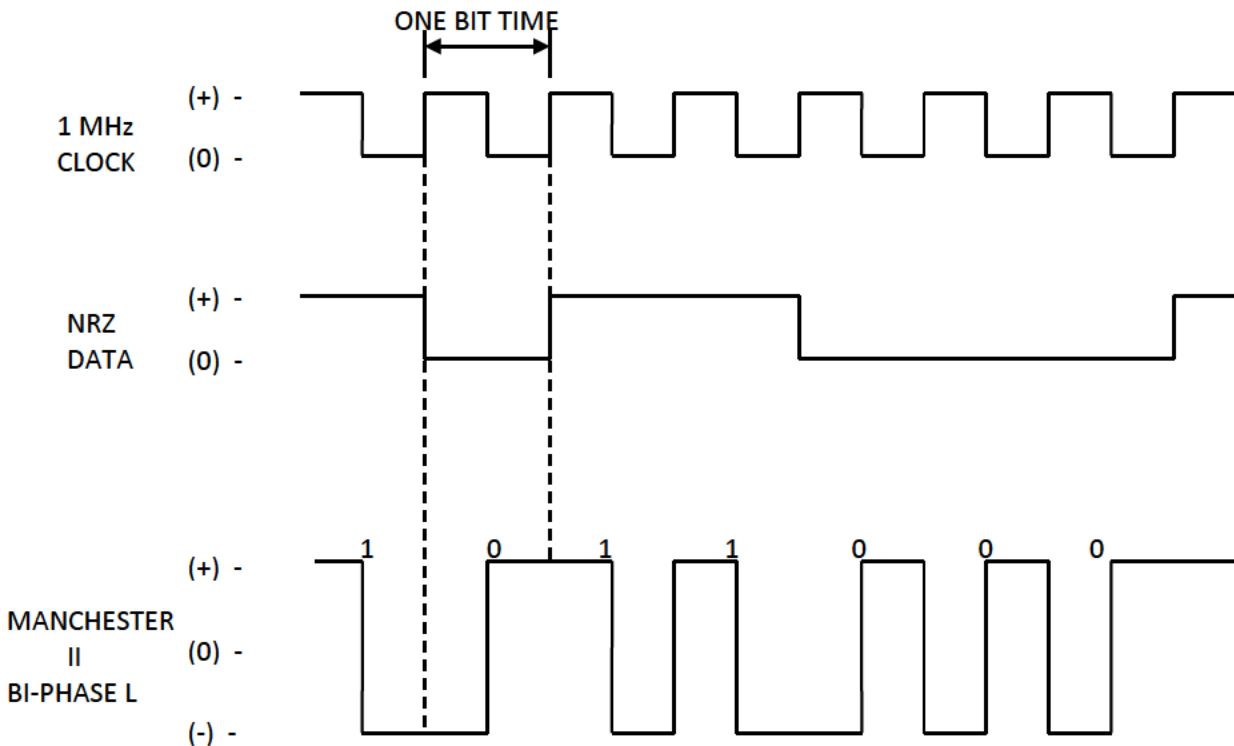


FIGURE 2. Data encoding.

## 4.3.3.3 Transmission bit rate

The transmission bit rate on the bus shall be 1.0 megabit per second with a combined accuracy and long-term stability of  $\pm 0.1$  percent (i.e.,  $\pm 1000$  Hertz (Hz)). The short-term stability (i.e., stability over 1.0 second interval) shall be at least 0.01 percent (i.e.,  $\pm 100$  Hz).

## 4.3.3.4 Word size

The word size shall be 16 bits plus the sync waveform and the parity bit for a total of 20 bits times as shown on [FIGURE 3](#).

## MIL-STD-1553C

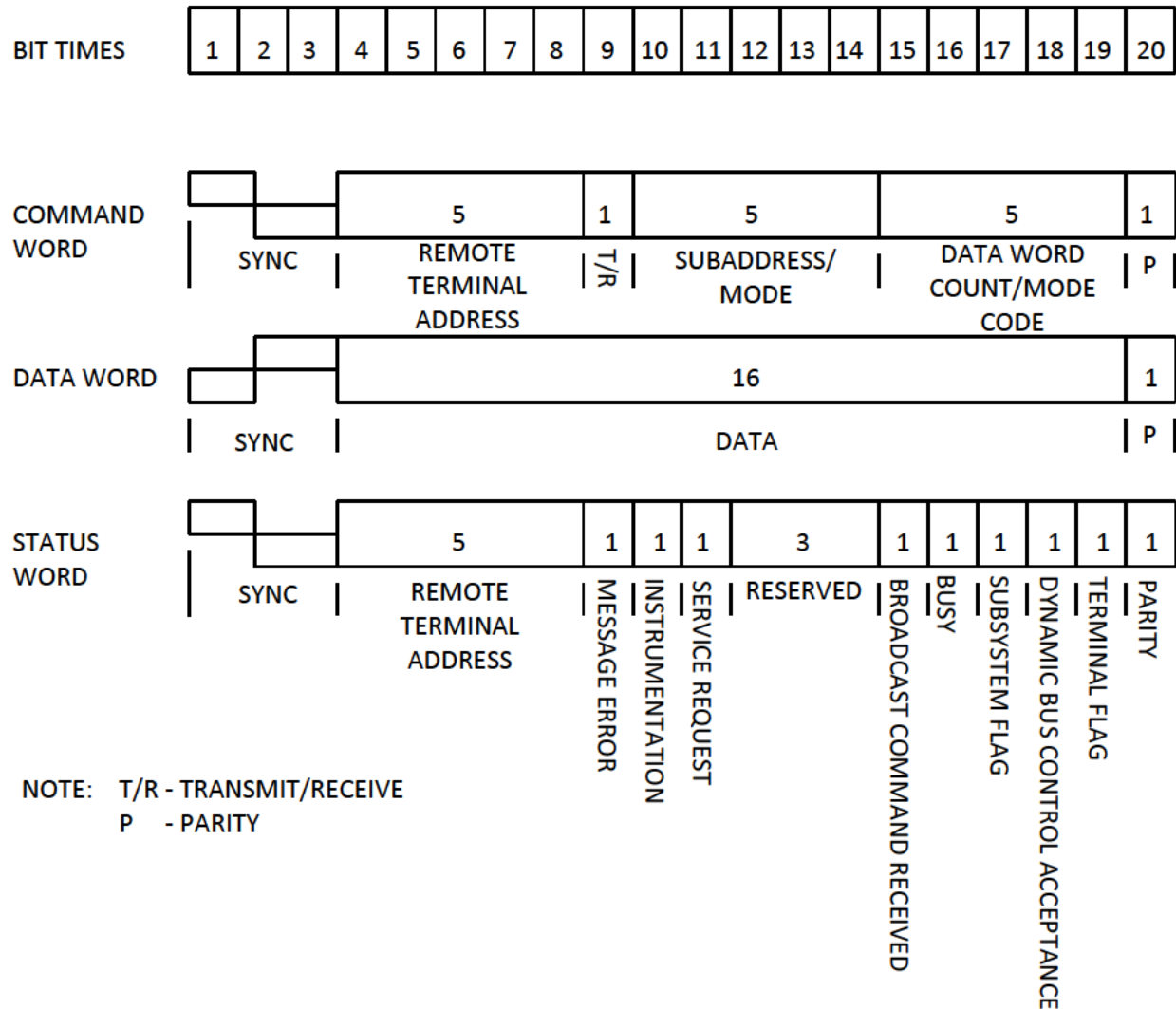


FIGURE 3. Word formats.

## 4.3.3.5 Word formats

The word formats shall be as shown on [FIGURE 3](#) for the command, data, and status words.

## 4.3.3.5.1 Command word

A command word shall be comprised of a sync waveform, remote terminal address field, transmit/receive (T/R) bit, subaddress/mode field, word count/mode code field, and a parity (P) bit (see [FIGURE 3](#)).

## 4.3.3.5.1.1 Sync

The command sync waveform shall be an invalid Manchester waveform as shown on [FIGURE 4](#). The width shall be three bit times, with the sync waveform being positive for the first one and

## MIL-STD-1553C

one-half bit times, and then negative for the following one and one-half bit times. If the next bit following the sync waveform is a logic zero, then the last half of the sync waveform will have an apparent width of two clock periods due to the Manchester encoding.

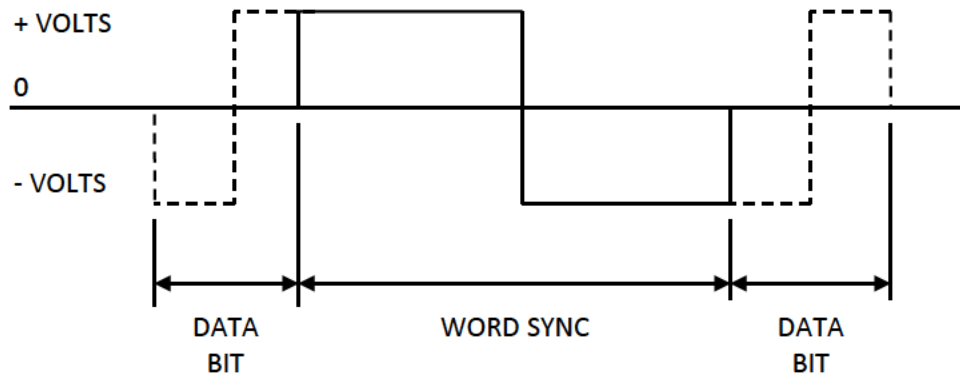


FIGURE 4. Command and status sync.

#### 4.3.3.5.1.2 Remote terminal address

The next five bits following the sync shall be the RT address. Each RT shall be assigned a unique address. Decimal address 31 (11111) shall not be assigned as a unique address. In addition to its unique address, a RT shall be assigned decimal address 31 (11111) as the common address, if the broadcast option is used.

#### 4.3.3.5.1.3 Transmit/receive (T/R)

The next bit following the remote terminal address shall be the T/R bit, which shall indicate the action required of the RT. A logic zero shall indicate the RT is to receive, and a logic one shall indicate the RT is to transmit.

#### 4.3.3.5.1.4 Subaddress/mode

The next five bits following the T/R bit shall be utilized to indicate an RT subaddress or use of mode control, as is dictated by the individual terminal requirements. The subaddress/mode values of 00000 and 11111 are reserved for special purposes, as specified in 4.3.3.5.1.7, and shall not be utilized for any other function.

#### 4.3.3.5.1.5 Data word count/mode code

The next five bits following the subaddress/mode field shall be the quantity of data words to be either sent out or received by the RT or the optional mode code as specified in 4.3.3.5.1.7. A maximum of 32 data words may be transmitted or received in any one message block. All 1's shall indicate a decimal count of 31, and all 0's shall indicate a decimal count of 32.



**MIL-STD-1553C****4.3.3.5.1.6 Parity**

The last bit in the word shall be used for parity over the preceding 16 bits. Odd parity shall be utilized.

**4.3.3.5.1.7 Optional mode control**

For RT's exercising this option a subaddress/mode code of 00000 or 11111 shall imply that the contents of the data word count/mode code field are to be decoded as a five bit mode command. The mode code shall only be used to communicate with the multiplex bus related hardware, and to assist in the management of information flow, and not to extract data from or feed data to a functional subsystem. Codes 00000 through 01111 shall only be used for mode codes which do not require transfer of a data word. For these codes, the T/R bit shall be set to 1. Codes 10000 through 11111 shall only be used for mode codes which require transfer of a single data word. For these mode codes, the T/R bit shall indicate the direction of data word flow as specified in 4.3.3.5.1.3. No multiple data word transfer shall be implemented with any mode code. The mode codes are reserved for the specific functions as specified in TABLE I and shall not be used for any other purpose. If the designer chooses to implement any of these functions, the specific codes, T/R bit assignments, and use of a data word, shall be used as indicated. The use of the broadcast command option shall only be applied to particular mode codes as specified in TABLE I.

**4.3.3.5.1.7.1 Dynamic bus control**

The controller shall issue a transmit command to an RT capable of performing the bus control function. This RT shall respond with a status word as specified in 4.3.3.5.3. Control of the data bus passes from the offering bus controller to the accepting RT upon completion of the transmission of the status word by the RT. If the RT rejects control of the data bus, the offering bus controller retains control of the data bus.

**4.3.3.5.1.7.2 Synchronize (without data word)**

This command shall cause the RT to synchronize (e.g., to reset the internal timer, to start a sequence, etc.). The RT shall transmit the status word as specified in 4.3.3.5.3.

**4.3.3.5.1.7.3 Transmit status word**

This command shall cause the RT to transmit the status word associated with the last valid command word preceding this command. This mode command shall not alter the state of the status word.

**4.3.3.5.1.7.4 Initiate self test**

This command shall be used to initiate self test within the RT. The RT shall transmit the status word as specified in 4.3.3.5.3.

**4.3.3.5.1.7.5 Transmitter shutdown**

This command (to only be used with dual redundant bus systems) shall cause the RT to disable the transmitter associated with the redundant bus. The RT shall not comply with a command to

**MIL-STD-1553C**

shut down a transmitter on the bus from which this command is received. In all cases, the RT shall respond with a status word as specified in 4.3.3.5.3 after this command.

**TABLE I. Assigned mode codes.**

<b>T/R Bit</b>	<b>Mode Code</b>	<b>Function</b>	<b>Associated Data Word</b>	<b>Broadcast Command Allowed</b>
1	00000	Dynamic Bus Control	No	No
1	00001	Synchronize	No	Yes
1	00010	Transmit Status Word	No	No
1	00011	Initiate Self Test	No	Yes
1	00100	Transmitter Shutdown	No	Yes
1	0101	Override Transmitter Shutdown	No	Yes
1	00110	Inhibit Terminal Flag Bit	No	Yes
1	00111	Override Inhibit Terminal Flag Bit	No	Yes
1	01000	Reset Remote Terminal	No	Yes
1	01001	Reserved	No	TBD
	↓	↓	↓	↓
1	01111	Reserved	No	TBD
1	10000	Transmit Vector Word	Yes	No
0	10001	Synchronize	Yes	Yes
1	10010	Transmit Last Command	Yes	No
1	10011	Transmit BIT Word	Yes	No
0	10100	Selected Transmitter Shutdown	Yes	Yes
0	10101	Override Selected Transmitter Shutdown	Yes	Yes
1 or 0	10110	Reserved	Yes	TBD
	↓	↓	↓	↓
1 or 0	11111	Reserved	Yes	TBD

NOTE: To be determined (TBD)

**MIL-STD-1553C****4.3.3.5.1.7.6 Override transmitter shutdown**

This command (to only be used with dual redundant bus system) shall cause the RT to enable a transmitter which was previously disabled. The RT shall not comply with a command to enable a transmitter on the bus from which this command is received. In all cases, the RT shall respond with a status word as specified in [4.3.3.5.3](#) after this command.

**4.3.3.5.1.7.7 Inhibit terminal flag (T/F) bit**

This command shall cause the RT to set the T/F bit in the status word specified in [4.3.3.5.3](#) to logic zero until otherwise commanded. The RT shall transmit the status word as specified in [4.3.3.5.3](#).

**4.3.3.5.1.7.8 Override inhibit T/F bit**

This command shall cause the RT to override the inhibit T/F bit specified in [4.3.3.5.1.7.7](#). The RT shall transmit the status word as specified in [4.3.3.5.3](#).

**4.3.3.5.1.7.9 Reset remote terminal**

This command shall be used to reset the RT to a power up initialized state. The RT shall first transmit its status word, and then reset.

**4.3.3.5.1.7.10 Reserved mode codes (01001 to 01111)**

These mode codes are reserved for future use and shall not be used.

**4.3.3.5.1.7.11 Transmit vector word**

This command shall cause the RT to transmit a status word as specified in [4.3.3.5.3](#) and a data word containing service request information.

**4.3.3.5.1.7.12 Synchronize (with data word)**

The RT shall receive a command word followed by a data word as specified in [4.3.3.5.2](#). The data word shall contain synchronization information for the RT. After receiving the command and data word, the RT shall transmit the status word as specified in [4.3.3.5.3](#).

**4.3.3.5.1.7.13 Transmit last command word**

This command shall cause the RT to transmit its status word as specified in [4.3.3.5.3](#) followed by a single data word which contains bits 4–19 of the last command word, excluding a transmit last command word mode code received by the RT. This mode command shall not alter the state of the RT's status word.

**4.3.3.5.1.7.14 Transmit built-in-test (BIT) word**

This command shall cause the RT to transmit its status word as specified in [4.3.3.5.3](#) followed by a single data word containing the RT BIT data. This function is intended to supplement the available bits in the status word when the RT hardware is sufficiently complex to warrant its use. The data word, containing the RT BIT data, shall not be altered by the reception of a

## MIL-STD-1553C

transmit last command or a transmit status word mode code. This function shall not be used to convey BIT data from the associated subsystem(s).

#### 4.3.3.5.1.7.15 Selected transmitter shutdown

This command shall cause the RT to disable the transmitter associated with a specified redundant data bus. The command is designed for use with systems employing more than two redundant buses. The transmitter that is to be disabled shall be identified in the data word following the command word in the format as specified in 4.3.3.5.2. The RT shall not comply with a command to shut down a transmitter on the bus from which this command is received. In all cases, the RT shall respond with a status word as specified in 4.3.3.5.3.

#### 4.3.3.5.1.7.16 Override selected transmitter shutdown

This command shall cause the RT to enable a transmitter which was previously disabled. The command is designed for use with systems employing more than two redundant buses. The transmitter that is to be enabled shall be identified in the data word following the command word in the format as specified in 4.3.3.5.2. The RT shall not comply with a command to enable a transmitter on the bus from which this command is received. In all cases, the RT shall respond with a status word as specified in 4.3.3.5.3.

#### 4.3.3.5.1.7.17 Reserved mode codes (10110 to 11111)

These mode codes are reserved for future use and shall not be used.

### 4.3.3.5.2 Data word

A data word shall be comprised of a sync waveform, data bits, and a parity bit (see FIGURE 3).

#### 4.3.3.5.2.1 Sync

The data sync waveform shall be an invalid Manchester waveform as shown on FIGURE 5. The width shall be three bit times, with the waveform being negative for the first one and one-half bit times, and then positive for the following one and one-half bit times. Note that if the bits preceding and following the sync are logic ones, then the apparent width of the sync waveform will be increased to four bit times.

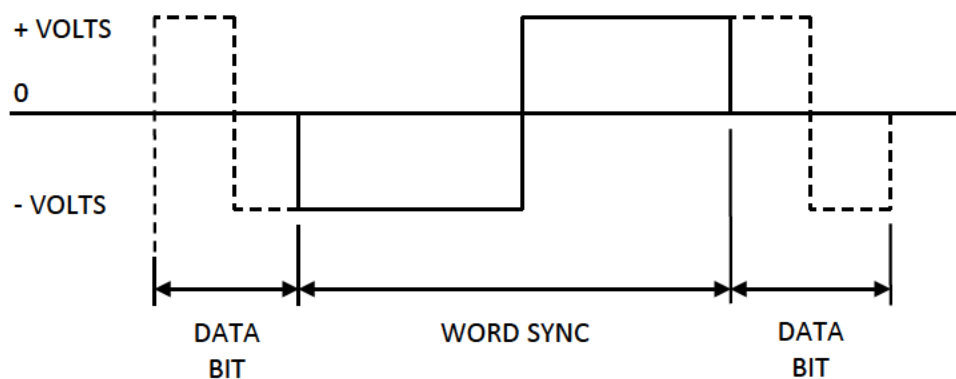


FIGURE 5. Data sync.

## MIL-STD-1553C

### 4.3.3.5.2.2 Data

The sixteen bits following the sync shall be utilized for data transmission as specified in [4.3.2](#).

### 4.3.3.5.2.3 Parity

The last bit shall be utilized for parity as specified in [4.3.3.5.1.6](#).

### 4.3.3.5.3 Status word

A status word shall be comprised of a sync waveform, RT address, message error bit, instrumentation bit, service request bit, three reserved bits, broadcast command received bit, busy bit, subsystem flag bit, dynamic bus control acceptance bit, terminal flag bit, and a parity bit. For optional broadcast operation, transmission of the status word shall be suppressed as specified in [4.3.3.6.7](#).

#### 4.3.3.5.3.1 Sync

The status sync waveform shall be as specified in [4.3.3.5.1.1](#).

#### 4.3.3.5.3.2 RT address

The next five bits following the sync shall contain the address of the RT which is transmitting the status word as defined in [4.3.3.5.1.2](#).

#### 4.3.3.5.3.3 Message error bit

The status word bit at bit time nine (see [FIGURE 3](#)) shall be utilized to indicate that one or more of the data words associated with the preceding receive command word from the bus controller has failed to pass the RT's validity tests as specified in [4.4.1.1](#). This bit shall also be set under the conditions specified in [4.4.1.2](#), [4.4.3.4](#) and [4.4.3.6](#). A logic one shall indicate the presence of a message error, and a logic zero shall show its absence. All RT's shall implement the message error bit.

#### 4.3.3.5.3.4 Instrumentation bit

The status word at bit time ten (see [FIGURE 3](#)) shall be reserved for the instrumentation bit and shall always be a logic zero. This bit is intended to be used in conjunction with a logic one in bit time ten of the command word to distinguish between a command word and a status word. The use of the instrumentation bit is optional.

#### 4.3.3.5.3.5 Service request bit

The status word bit at bit time eleven (see [FIGURE 3](#)) shall be reserved for the service request bit. The use of this bit is optional. This bit when used, shall indicate the need for the bus controller to take specific predefined actions relative to either the RT or associated subsystem. Multiple subsystems, interfaced to a single RT, which individually require a service request signal shall logically OR their individual signals into the single status word bit. In the event this logical OR is performed, then the designer must make provisions in a separate data word to identify the specific requesting subsystem. The service request bit is intended to be used only to trigger data transfer operations which take place on an exception rather than periodic basis. A logic one shall indicate the presence of a service request, and a logic zero its absence. If this function is not implemented, the bit shall be set to zero.

## MIL-STD-1553C

### **4.3.3.5.3.6 Reserved status bits**

The status word bits at bit times twelve through fourteen are reserved for future use and shall not be used. These bits shall be set to a logic zero.

### **4.3.3.5.3.7 Broadcast command received bit**

The status word at bit time fifteen shall be set to a logic one to indicate that the preceding valid command word was a broadcast command and a logic zero shall show it was not a broadcast command. If the broadcast command option is not used, this bit shall be set to a logic zero.

### **4.3.3.5.3.8 Busy bit**

The status word bit at bit time sixteen (see [FIGURE 3](#)) shall be reserved for the busy bit. The use of this bit is optional. This bit, when used, shall indicate that the RT or subsystem is unable to move data to or from the subsystem in compliance with the bus controller's command. A logic one shall indicate the presence of a busy condition, and a logic zero its absence. In the event the busy bit is set in response to a transmit command, then the RT shall transmit its status word only. If this function is not implemented, the bit shall be set to logic zero.

### **4.3.3.5.3.9 Subsystem flag bit**

The status word bit at bit time seventeen (see [FIGURE 3](#)) shall be reserved for the subsystem flag bit. The use of this bit is optional. This bit, when used, shall flag a subsystem fault condition, and alert the bus controller to potentially invalid data. Multiple subsystems, interfaced to a single RT, which individually require a subsystem flag bit signal shall logically OR their individual signals into the single status word bit. In the event this logical OR is performed, then the designer must make provisions in a separate data word to identify the specific reporting subsystem. A logic one shall indicate the presence of the flag, and a logic zero its absence. If not used, this bit shall be set to logic zero.

### **4.3.3.5.3.10 Dynamic bus control acceptance bit**

The status word bit at bit time eighteen (see [FIGURE 3](#)) shall be reserved for the acceptance of dynamic bus control. This bit shall be used if the RT implements the optional dynamic bus control function. This bit, when used, shall indicate acceptance or rejection of a dynamic bus control offer as specified in [4.3.3.5.1.7.1](#). A logic one shall indicate acceptance of control, and a logic zero shall indicate rejection of control. If this function is not used, this bit shall be set to logic zero.

### **4.3.3.5.3.11 Terminal flag bit**

The status word bit at bit time nineteen (see [FIGURE 3](#)) shall be reserved for the terminal flag function. The use of this bit is optional. This bit, when used, shall flag a RT fault condition. A logic one shall indicate the presence of the flag, and a logic zero, its absence. If not used, this bit shall be set to logic zero.

### **4.3.3.5.3.12 Parity bit**

The least significant bit in the status word shall be utilized for parity as specified in [4.3.3.5.1.6](#).

## MIL-STD-1553C

### 4.3.3.5.4 Status word reset

The status word bit, with the exception of the address, shall be set to logic zero after a valid command word is received by the RT with the exception as specified in 4.3.3.5.1.7. If the conditions which caused bits in the status word to be set (e.g., terminal flag) continue after the bits are reset to logic zero, then the affected status word bit shall be again set, and then transmitted on the bus as required.

### 4.3.3.6 Message formats

The messages transmitted on the data bus shall be in accordance with the formats on [FIGURE 6](#) and [FIGURE 7](#). The maximum and minimum response times shall be as stated in 4.3.3.7 and 4.3.3.8. No message formats, other than those defined herein, shall be used on the bus.

#### 4.3.3.6.1 Bus controller to remote terminal transfers

The bus controller shall issue a receive command followed by the specified number of data words. The RT shall, after message validation, transmit a status word back to the controller. The command and data words shall be transmitted in a contiguous fashion with no interword gaps.

#### 4.3.3.6.2 Remote terminal to bus controller transfers

The bus controller shall issue a transmit command to the RT. The RT shall, after command word validation, transmit a status word back to the bus controller, followed by the specified number of data words. The status and data words shall be transmitted in a contiguous fashion with no interword gaps.

#### 4.3.3.6.3 Remote terminal to remote terminal transfers

The bus controller shall issue a receive command to RT A followed contiguously by a transmit command to RT B. RT B shall, after command validation, transmit a status word followed by the specified number of data words. The status and data words shall be transmitted in a contiguous fashion with no gap. At the conclusion of the data transmission by RT B, RT A shall transmit a status word within the specified time period.

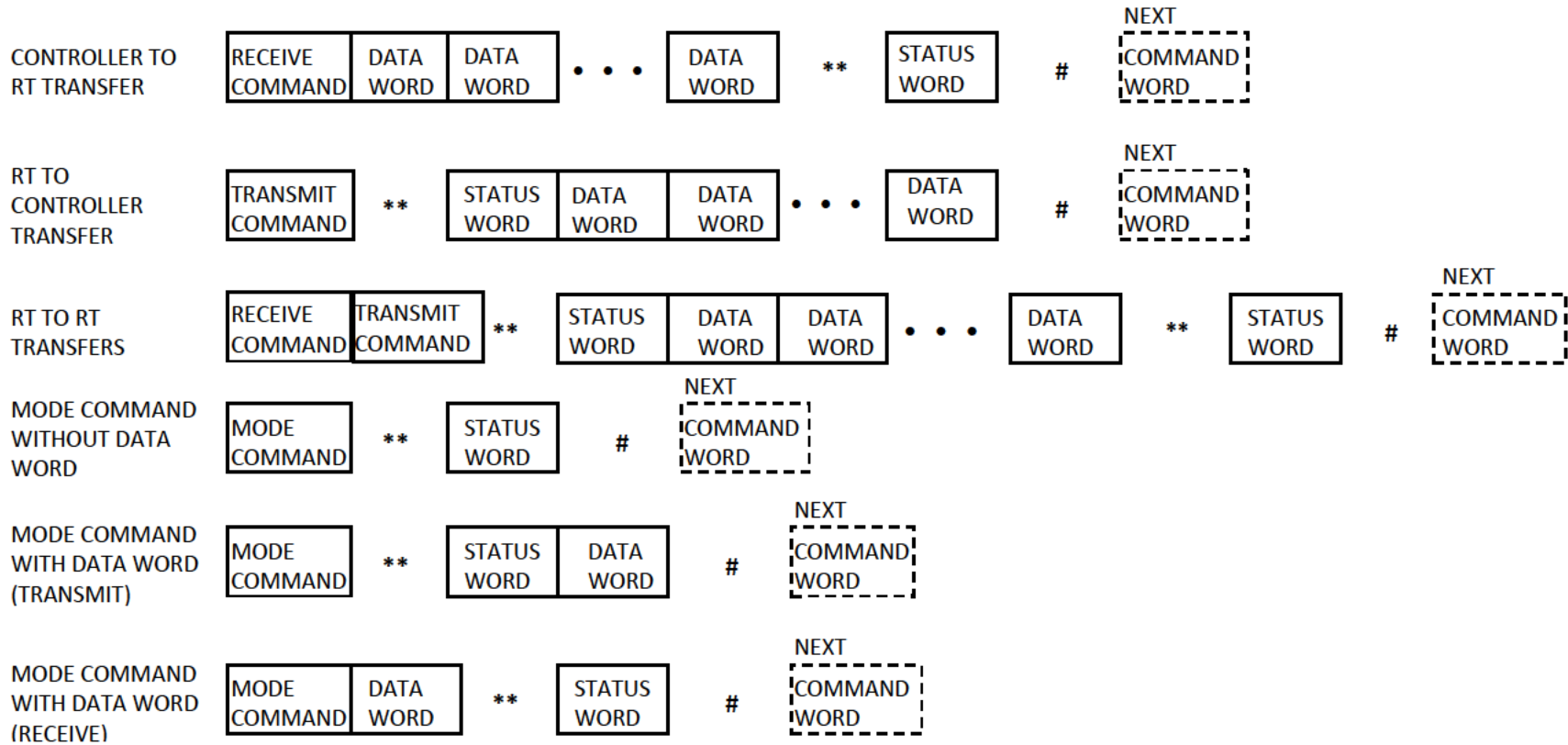
#### 4.3.3.6.4 Mode command without data word

The bus controller shall issue a transmit command to the RT using a mode code specified in [TABLE I](#). The RT shall, after command word validation, transmit a status word.

#### 4.3.3.6.5 Mode command with data word (transmit)

The bus controller shall issue a transmit command to the RT using a mode code specified in [TABLE I](#). The RT shall, after command word validation, transmit a status word followed by one data word. The status word and data word shall be transmitted in a contiguous fashion with no gap.

MIL-STD-1553C

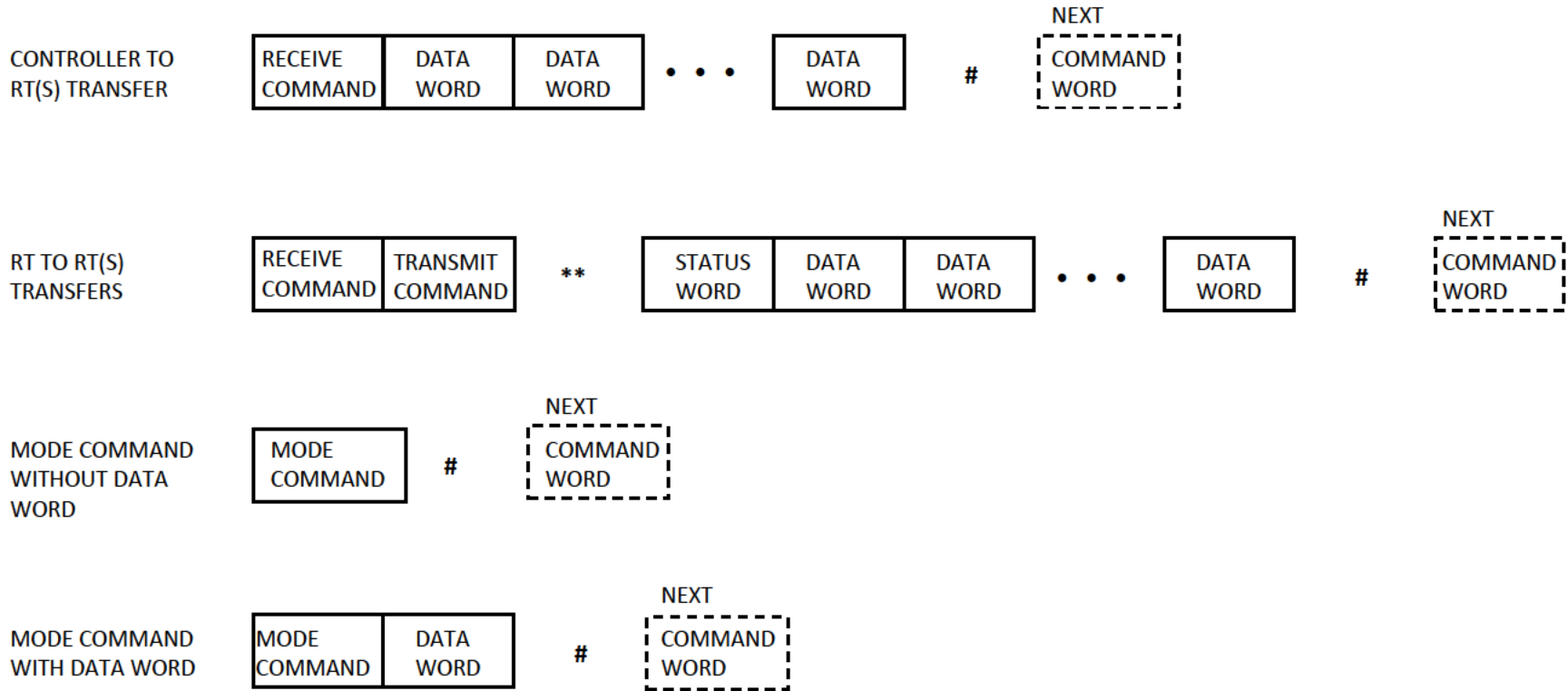


NOTE: # INTERMESSAGE GAP  
 ★ ★ RESPONSE TIME

FIGURE 6. Information transfer formats.



MIL-STD-1553C



NOTE: # INTERMESSAGE GAP  
 \*\* RESPONSE TIME

FIGURE 7. Broadcast information transfer formats.

## MIL-STD-1553C

### 4.3.3.6.6 Mode command with data word (receive)

The bus controller shall issue a receive command to the RT using a mode code specified in [TABLE I](#), followed by one data word. The command word and data word shall be transmitted in a contiguous fashion with no gap. The RT shall, after command and data word validation, transmit a status word back to the controller.

### 4.3.3.6.7 Optional broadcast command

See [A.1.6](#) for additional information on the use of the broadcast command.

#### 4.3.3.6.7.1 Bus controller to remote terminal(s) transfer (broadcast)

The bus controller shall issue a receive command word with 11111 in the RT address field followed by the specified number of data words. The command word and data words shall be transmitted in a contiguous fashion with no gap. The RT(s) with the broadcast option shall after message validation, set the broadcast command received bit in the status word as specified in [4.3.3.5.3.7](#) and shall not transmit the status word.

#### 4.3.3.6.7.2 Remote terminal to remote terminal(s) transfers (broadcast)

The bus controller shall issue a receive command word with 11111 in the RT address field followed by a transmit command to RT A using the RT's address. RT A shall, after command word validation, transmit a status word followed by the specified number of data words. The status and data words shall be transmitted in a contiguous fashion with no gap. The RT(s) with the broadcast option, excluding RT A, shall after message validation, set the broadcast received bit in the status word as specified in [4.3.3.5.3.7](#) and shall not transmit the status word.

#### 4.3.3.6.7.3 Mode command without data word (broadcast)

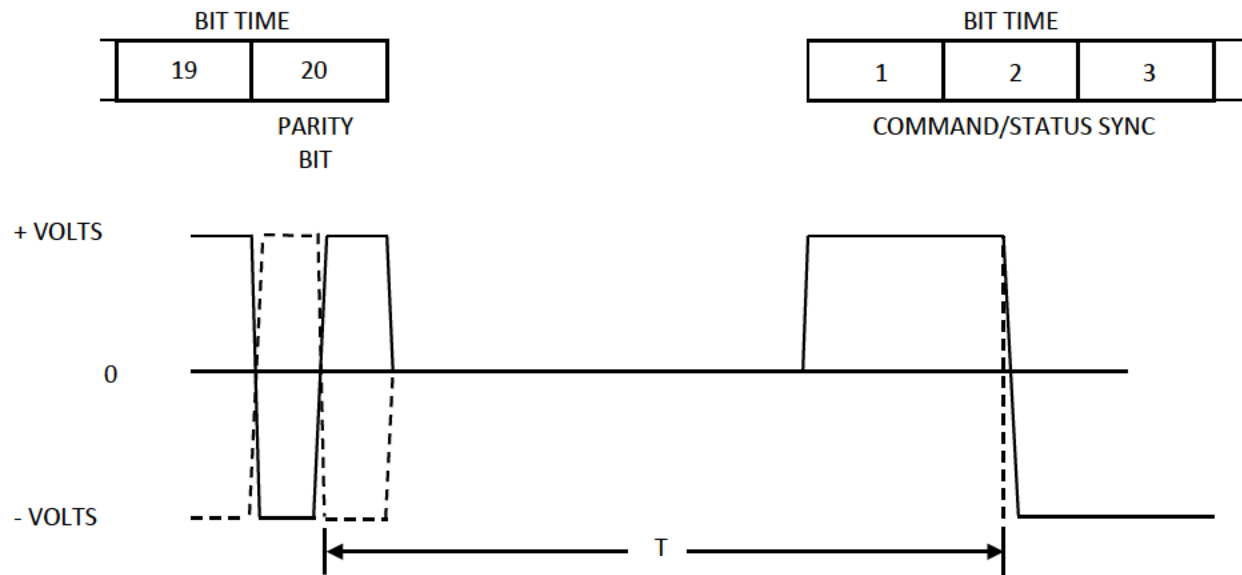
The bus controller shall issue a transmit command word with 11111 in the RT address field, and a mode code specified in [TABLE I](#). The RT(s) with the broadcast option shall after command word validation, set the broadcast received bit in the status word as specified in [4.3.3.5.3.7](#) and shall not transmit the status word.

#### 4.3.3.6.7.4 Mode command with data word (broadcast)

The bus controller shall issue a receive command word with 11111 in the RT address field and a mode code specified in [TABLE I](#), followed by one data word. The command word and data word shall be transmitted in a contiguous fashion with no gap. The RT(s) with the broadcast option shall after message validation, set the broadcast received bit in the status word as specified in [4.3.3.5.3.7](#) and shall not transmit the status word.

### 4.3.3.7 Intermessage gap

The bus controller shall provide a minimum gap time of 4.0 microseconds ( $\mu\text{s}$ ) between messages as shown on [FIGURE 6](#) and [FIGURE 7](#). This time period, shown as T on [FIGURE 8](#), is measured at point A of the bus controller as shown on [FIGURE 9](#) or [FIGURE 10](#). The time is measured from the mid-bit zero crossing of the last bit of the preceding message to mid-zero crossing of the next command word sync.

**MIL-STD-1553C****FIGURE 8. Intermessage gap and response time.**

## MIL-STD-1553C

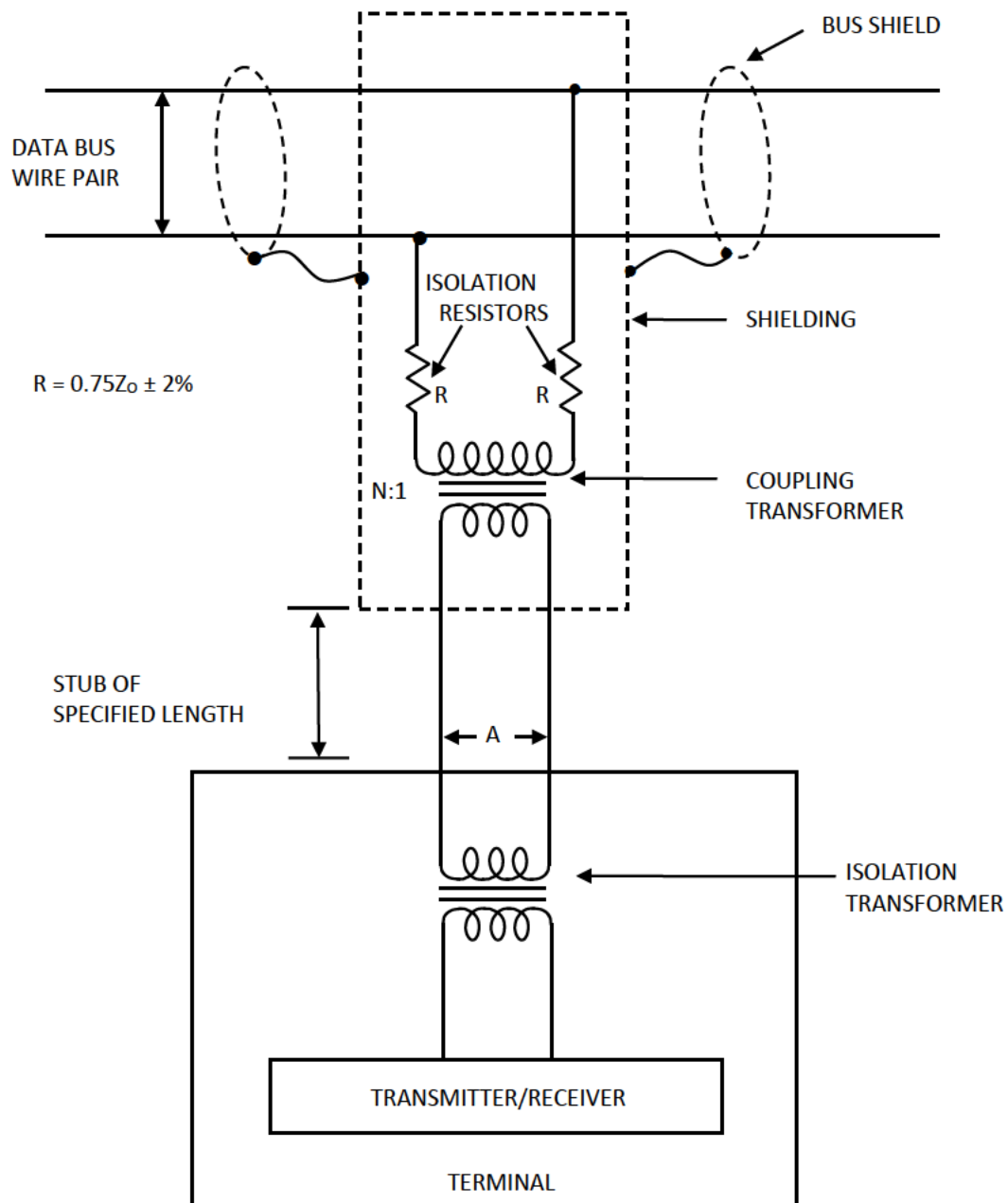


FIGURE 9. Data bus interface using transformer coupling.

MIL-STD-1553C

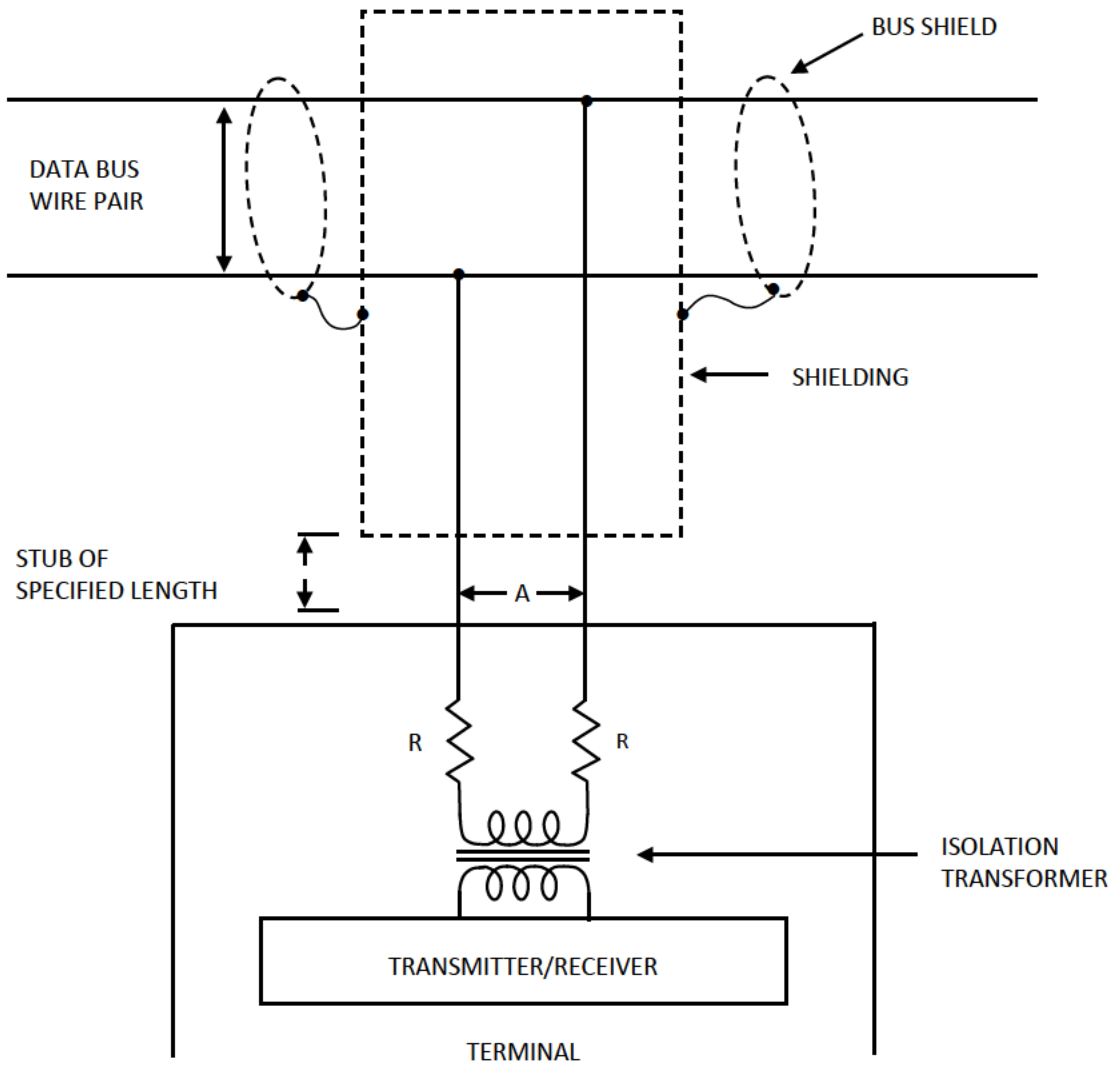


FIGURE 10. Data bus interface using direct coupling.

## MIL-STD-1553C

### 4.3.3.8 Response time

The RT shall respond, in accordance with 4.3.3.6, to a valid command word within the time period of 4.0 to 12.0  $\mu$ s. This time period, shown as T on FIGURE 8, is measured at point A of the RT as shown on FIGURE 9 or FIGURE 10. The time is measured from the mid bit zero crossing of the last word as specified in 4.3.3.6 and as shown on FIGURE 6 and FIGURE 7 to the mid-zero crossing of the status word sync.

### 4.3.3.9 Minimum no-response time-out

The minimum time that a terminal shall wait before considering that a response as specified in 4.3.3.8 has not occurred shall be 14.0  $\mu$ s. The time is measured from the mid-bit zero crossing of the last bit of the last word to the mid-zero crossing of the expected status word sync at point A of the terminal as shown on FIGURE 9 or FIGURE 10.

## 4.4 Terminal operation

### 4.4.1 Common operation

Terminals shall have common operating capabilities as specified in the following paragraphs.

#### 4.4.1.1 Word validation

The terminal shall insure that each word conforms to the following minimum criteria:

- a. The word begins with a valid sync field.
- b. The bits are in a valid Manchester II code.
- c. The information field as 16 bits plus parity.
- d. The word parity is odd.

When a word fails to conform to the preceding criteria, the word shall be considered invalid.

#### 4.4.1.2 Transmission continuity

The terminal shall verify that the message is contiguous as defined in 4.3.3.6. Improperly timed data syncs shall be considered a message error.

#### 4.4.1.3 Terminal fail-safe

The terminal shall contain a hardware implemented time-out to preclude a signal transmission of greater than 800.0  $\mu$ s. This hardware shall not preclude a correct transmission in response to a command. Reset of this time-out function shall be performed by the reception of a valid command on the bus on which the time-out has occurred.

## MIL-STD-1553C

### 4.4.2 Bus controller operation

A terminal operating as a bus controller shall be responsible for sending data bus commands, participating in data transfers, receiving status responses, and monitoring system status as defined in this standard. The bus controller function may be embodied as either a stand-alone terminal, whose sole function is to control the data bus(es), or contained within a subsystem. Only one terminal shall be in active control of a data bus at any one time.

### 4.4.3 Remote terminal

#### 4.4.3.1 Operation

A remote terminal (RT) shall operate in response to valid commands received from the bus controller. The RT shall accept a command word as valid when the command word meets the criteria of [4.4.1.1](#), and the command word contains a terminal address which matches the RT address or an address of 11111, if the RT has the broadcast option. No combination of RT address bits, T/R bit, subaddress/mode bits, and data word count/mode code bits of a command word shall result in invalid transmissions by the RT. Subsequent valid commands shall be properly responded to by the RT.

#### 4.4.3.2 Superseding valid commands

The RT shall be capable of receiving a command word on the data bus after the minimum intermessage gap time as specified in [4.3.3.7](#) has been exceeded, when the RT is not in the time period T as specified in [4.3.3.8](#) prior to the transmission of a status word, and when it is not transmitting on that data bus. A second valid command word sent to an RT shall take precedence over the previous command. The RT shall respond to the second valid command as specified in [4.3.3.8](#).

#### 4.4.3.3 Invalid commands

A remote terminal shall not respond to a command word which fails to meet the criteria specified in [4.4.3.1](#).

#### 4.4.3.4 Illegal command

An illegal command is a valid command as specified in [4.4.3.1](#), where the bits in the subaddress/mode field, data word count/mode code field, and the T/R bit indicate a mode command, subaddress, or word count that has not been implemented in the RT. It is the responsibility of the bus controller to assure that no illegal commands are sent out. The RT designer has the option of monitoring for illegal commands. If an RT that is designed with this option detects an illegal command and the proper number of contiguous valid data words as specified by the illegal command word, it shall respond with a status word only, setting the message error bit, and not use the information received.

#### 4.4.3.5 Valid data reception

The remote terminal shall respond with a status word when a valid command word and the proper number of contiguous valid data words are received, or a single valid word associated with a mode code is received. Each data word shall meet the criteria specified in [4.4.1.1](#).

## MIL-STD-1553C

### 4.4.3.6 Invalid data reception

Any data word(s) associated with a valid receive command that does not meet the criteria specified in 4.4.1.1 and 4.4.1.2 or an error in the data word count shall cause the remote terminal to set the message error bit in the status word to a logic one and suppress the transmission of the status word. If a message error has occurred, then the entire message shall be considered invalid.

### 4.4.4 Bus monitor operation

A terminal operating as a bus monitor shall receive bus traffic and extract selected information. While operating as a bus monitor, the terminal shall not respond to any message except one containing its own unique address if one is assigned. All information obtained while acting as a bus monitor shall be strictly used for off-line applications (e.g., flight test recording, maintenance recording or mission analysis) or to provide the back-up bus controller sufficient information to take over as the bus controller.

## 4.5 Hardware characteristics

### 4.5.1 Data bus characteristics

#### 4.5.1.1 Cable

The cable used for the main bus and all stubs shall be a two conductor, twisted, shielded, jacketed cable. The wire-to-wire distributed capacitance shall not exceed 30.0 picofarads per foot. The cables shall be formed with not less than four twists per foot where a twist is defined as a 360 degree rotation of the wire pairs; and, the cable shield shall provide a minimum of 75.0 percent coverage.

#### 4.5.1.2 Characteristic impedance

The nominal characteristic impedance of the cable ( $Z_0$ ) shall be within the range of 70.0 ohms to 85.0 ohms at a sinusoidal frequency of 1.0 megahertz (MHz).

#### 4.5.1.3 Cable attenuation

At the frequency of 4.5.1.2, the cable power loss shall not exceed 1.5 decibels (dB)/100 feet (ft).

#### 4.5.1.4 Cable termination

The two ends of the cable shall be terminated with a resistance, equal to the selected cable nominal characteristic impedance ( $Z_0$ )  $\pm$  2.0 percent.

#### 4.5.1.5 Cable stub requirements

The cable shall be coupled to the terminal as shown on [FIGURE 9](#) or [FIGURE 10](#). The use of long stubs is discouraged, and the length of a stub should be minimized. However, if installation requirements dictate, stub lengths exceeding those lengths specified in 4.5.1.5.1 and 4.5.1.5.2 are permissible.



## MIL-STD-1553C

**4.5.1.5.1 Transformer coupled stubs**

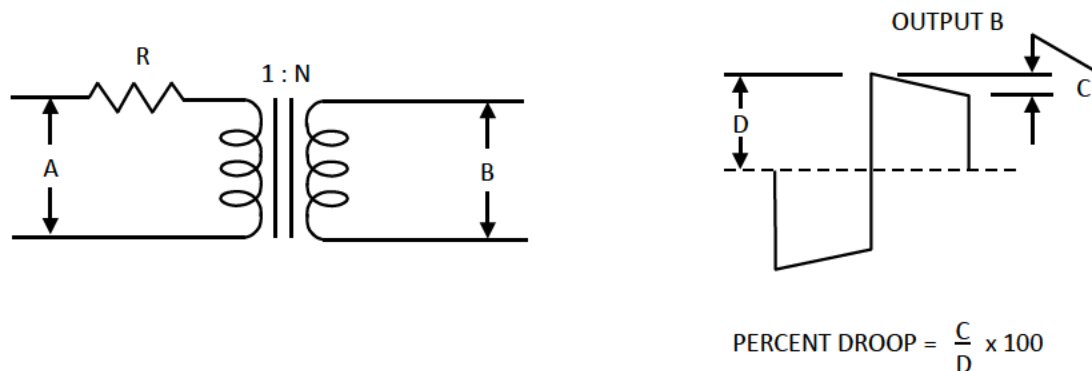
The length of a transformer coupled stub should not exceed 20 feet. If a transformer coupled stub is used, then the following shall apply.

**4.5.1.5.1.1 Coupling transformer**

A coupling transformer, as shown on [FIGURE 9](#), shall be required. This transformer shall have a turns ratio of  $1:1.41 \pm 3.0$  percent, with the higher turns on the isolation resistor side of the stub.

**4.5.1.5.1.1.1 Transformer input impedance**

The open circuit impedance as seen at point B on [FIGURE 11](#) shall be greater than 3000 ohms over the frequency range of 75.0 kilohertz (kHz) to 1.0 megahertz (MHz), when measured with a 1.0 V root-mean-square (RMS) sine wave.



**FIGURE 11. Coupling transformer.**

**4.5.1.5.1.1.2 Transformer waveform integrity**

The droop of the transformer using the test configuration shown on [FIGURE 11](#) at point B, shall not exceed 20.0 percent. Overshoot and ringing as measured at point B shall be less than  $\pm 1.0$  V peak. For this test, R shall equal 360.0 ohms  $\pm 5.0$  percent and the input A of [FIGURE 11](#) shall be a 250.0 kHz square wave. 27.0 V peak-to-peak, with a rise and fall time no greater than 100 nanoseconds (ns).

**4.5.1.5.1.1.3 Transformer common mode rejection**

The coupling transformer shall have a common mode rejection ratio greater than 45.0 dB at 1.0 MHz.

**4.5.1.5.1.2 Fault isolation**

An isolation resistor shall be placed in series with each connection to the data bus cable. This resistor shall have a value of  $0.75 Z_0$  ohms  $\pm 2.0$  percent, where  $Z_0$  is the selected cable nominal characteristic impedance, as specified in [4.5.1.2](#). The impedance placed across the data bus

## MIL-STD-1553C

cable shall be no less than  $1.5 Z_0$  ohms for any failure of the coupling transformer, cable stub, or terminal transmitter/receiver.

### 4.5.1.5.1.3 Cable coupling

All coupling transformers and isolation resistors, as specified in [4.5.1.5.1.1](#) and [4.5.1.5.1.2](#), shall have continuous shielding which will provide a minimum of 75 percent coverage. The isolation resistors and coupling transformers shall be placed at minimum possible distance from the junction of the stub to the main bus.

### 4.5.1.5.1.4 Stub voltage requirements

Every data bus shall be designed such that all stubs at point A of [FIGURE 9](#) shall have a peak-to-peak amplitude, line-to-line within the range of 1.0 and 14.0 V for a transmission by any terminal on the data bus. This shall include the maximum reduction of data bus signal amplitude in the event that one of the terminals has a fault which causes it to reflect a fault impedance specified in [4.5.1.5.1.2](#) on the data bus. This shall also include the worst case output voltage of the terminals as specified in [4.5.2.1.1.1](#) and [4.5.2.2.1.1](#).

### 4.5.1.5.2 Direct coupled stubs

The length of a direct coupled stub should not exceed one (1) foot. Refer to [A.1.5](#) for comments concerning direct coupled stubs. If a direct coupled stub is used, then the following shall apply.

#### 4.5.1.5.2.1 Fault isolation

An isolation resistor shall be placed in series with each connection to the data bus cable. This resistor shall have a value of 55.0 ohms  $\pm 2.0$  percent. The isolation resistors shall be placed within the RT as shown on [FIGURE 10](#).

#### 4.5.1.5.2.2 Cable coupling

All bus-stub junctions shall have continuous shielding which will provide a minimum of 75 percent coverage.

#### 4.5.1.5.2.3 Stub voltage requirements

Every data bus shall be designed such that all stubs at point A of [FIGURE 10](#) shall have a peak-to-peak amplitude, line-to-line within the range of 1.4 and 20.0 V for a transmission by any terminal on the data bus. This shall include the maximum reduction of data bus signal amplitude in the event that one of the terminals has a fault which causes it to reflect a fault impedance of 110 ohms on the data bus. This shall also include the worst case output voltage of the terminals as specified in [4.5.2.1.1.1](#) and [4.5.2.2.1.1](#).

### 4.5.1.5.3 Wiring and cabling for EMC

For purposes of electromagnetic capability (EMC), the wiring and cabling provisions of MIL-STD-464 shall apply.

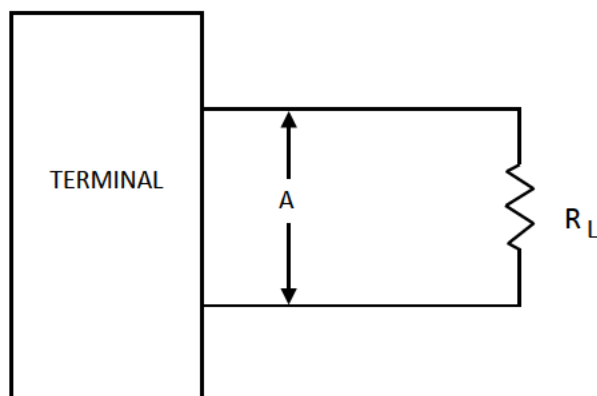
## MIL-STD-1553C

## 4.5.2 Terminal characteristics

## 4.5.2.1 Terminals with transformer coupled stubs

## 4.5.2.1.1 Terminal output characteristics

The following characteristics shall be measured with  $R_L$ , as shown on [FIGURE 12](#), equal to 70.0 ohms  $\pm 2.0$  percent.



**FIGURE 12. Terminal I/O characteristics for transformer coupled and direct coupled stubs.**

## 4.5.2.1.1.1 Output levels

The terminal output voltage levels shall be measured using the test configuration shown on [FIGURE 12](#). The terminal output voltage shall be within the range of 18.0 to 27.0 V, peak-to-peak, line-to-line, when measured at point A on [FIGURE 12](#).

## 4.5.2.1.1.2 Output waveform

The waveform, when measured at point A on [FIGURE 12](#) shall have zero crossing deviations which are equal to, or less than, 25.0 ns from the ideal crossing point, measure with respect to the previous zero crossing (i.e.,  $0.5 \pm 0.025 \mu\text{s}$ ,  $1.0 \pm 0.025 \mu\text{s}$ ,  $1.5 \pm 0.025 \mu\text{s}$ , and  $2.0 \pm 0.025 \mu\text{s}$ ). The rise and fall time of this waveform shall be from 100.0 to 300.0 ns when measured from levels of 10 to 90 percent of full waveform peak-to-peak, line-to-line, voltage as shown on [FIGURE 13](#). Any distortion of the waveform including overshoot and ringing shall not exceed  $\pm 900.0$  millivolts (mV) peak, line-to-line, as measured at point A, [FIGURE 12](#).

## MIL-STD-1553C

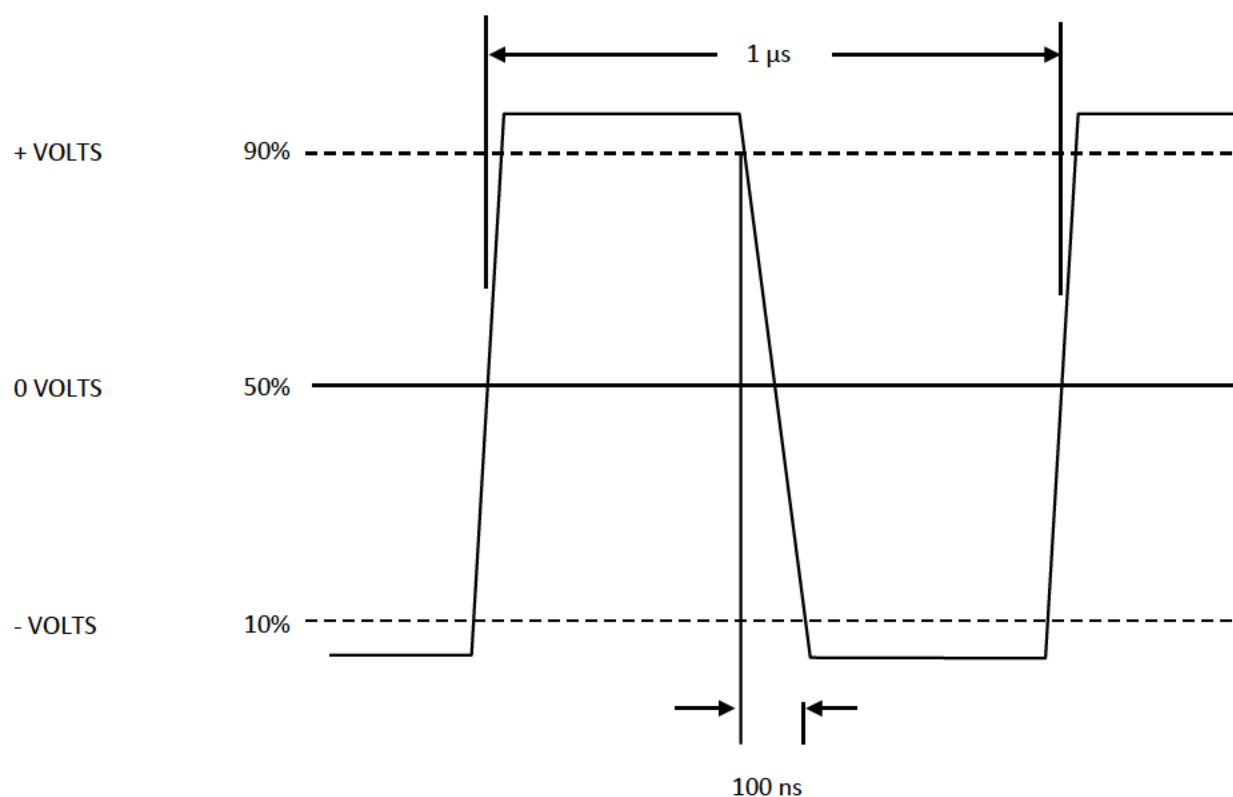


FIGURE 13. Output waveform.

**4.5.2.1.1.3 Output noise**

Any noise transmitted when the terminal is receiving or has power removed, shall not exceed a value of 14.0 mV, RMS, line-to-line, as measured at point A, [FIGURE 12](#).

**4.5.2.1.1.4 Output symmetry**

From the time beginning 2.5 μs after the mid-bit crossing of the parity bit of the last word transmitted by a terminal, the maximum voltage at point A of [FIGURE 12](#) shall be no greater than ±250.0 mV peak, line-to-line. This shall be tested with the terminal transmitting the maximum number of words it is designed to transmit, up to 33. This test shall be run six times with each word in a contiguous block of words having the same bit pattern. The six word contents that shall be used are 8000<sub>16</sub>, 7FFF<sub>16</sub>, 0000<sub>16</sub>, FFFF<sub>16</sub>, 5555<sub>16</sub>, and AAAA<sub>16</sub>. The output of the terminal shall be as specified in [4.5.2.1.1.1](#) and [4.5.2.1.1.2](#).

**4.5.2.1.2 Terminal input characteristics**

The following characteristics shall be measured independently.

## MIL-STD-1553C

### 4.5.2.1.2.1 Input waveform compatibility

The terminal shall be capable of receiving and operating with the incoming signals specified herein, and shall accept waveform varying from a square wave to a sine wave with a maximum zero crossing deviation from the ideal with respect to the previous zero crossing of  $\pm 150$  ns, (i.e.,  $2.0 \pm 0.15$   $\mu$ s,  $1.5 \pm 0.15$   $\mu$ s,  $1.0 \pm 0.15$   $\mu$ s,  $0.5 \pm 0.15$   $\mu$ s). The terminal shall respond to an input signal whose peak-to-peak amplitude, line-to-line, is within the range of 0.86 to 14.0 V. The terminal shall not respond to an input signal whose peak-to-peak amplitude, line-to-line, is within the range of 0.0 to 0.20 V. The voltages are measured at point A on [FIGURE 9](#).

### 4.5.2.1.2.2 Common mode rejections

Any signals from direct current (DC) to 2.0 MHz, with amplitudes equal to or less than  $\pm 10.0$  V peak, line-to-ground, measured at point A on [FIGURE 9](#), shall not degrade the performance of the receiver.

### 4.5.2.1.2.3 Input impedance

The magnitude of the terminal input impedance, when the RT is not transmitting, or has power removed, shall be a minimum of 1000.0 ohms within the frequency range of 75.0 kHz to 1.0 MHz. This impedance is that measured line-to-line at point A on [FIGURE 9](#).

### 4.5.2.1.2.4 Noise rejection

The terminal shall exhibit a maximum word error rate of one part in  $10^7$ , on all words received by the terminal, after validation checks as specified in [4.4](#), when operating in the presence of additive white Gaussian noise distributed over a bandwidth of 1.0 kHz to 4.0 MHz at an RMS amplitude of 140 mV. A word error shall include any fault which causes the message error bit to be set in the terminal's status word, or one which causes a terminal to not respond to a valid command. The word error rate shall be measured with a 2.1 V peak-to-peak, line-to-line, input to the terminal as measured at point A on [FIGURE 9](#). The noise tests shall be run continuously until, for a particular number of failures, the number of words received by the terminal, including both command and data words, exceeds the required number for acceptance of the terminal, or is less than the required number for rejection of the terminal, as specified in [TABLE II](#). All data words used in the tests shall contain random bit patterns. These bit patterns shall be unique for each data word in a message, and shall change randomly from message to message.

**MIL-STD-1553C****TABLE II. Criteria for acceptance or rejection of a terminal for the noise rejection test.**

TOTAL WORDS RECEIVED BY THE TERMINAL  
(in multiples of  $10^7$ )

<b>No. of Errors</b>	<b>Reject (Equal or less)</b>	<b>Accept (Equal or more)</b>
0	N/A	4.40
1	N/A	5.21
2	N/A	6.02
3	N/A	6.83
4	N/A	7.64
5	N/A	8.45
6	0.45	9.27
7	1.26	10.08
8	2.07	10.89
9	2.88	11.70
10	3.69	12.51
11	4.50	13.32
12	5.31	14.13
13	6.12	14.94
14	6.93	15.75
15	7.74	16.56
16	8.55	17.37
17	9.37	18.19
18	10.18	19.00
19	10.99	19.81
20	11.80	20.62
21	12.61	21.43
22	13.42	22.24
23	14.23	23.05
24	15.04	23.86
25	15.85	24.67
26	16.66	25.48
27	17.47	26.29
28	18.29	27.11

**MIL-STD-1553C****TABLE II. Criteria for acceptance or rejection of a terminal for the noise rejection test –  
Continued.**

TOTAL WORDS RECEIVED BY THE TERMINAL  
(in multiples of  $10^7$ )

<b>No. of Errors</b>	<b>Reject (Equal or less)</b>	<b>Accept (Equal or more)</b>
29	19.10	27.92
30	19.90	28.73
31	20.72	29.54
32	21.53	30.35
33	22.34	31.16
34	23.15	31.97
35	23.96	32.78
36	24.77	33.00
37	25.58	33.00
38	26.39	33.00
39	27.21	33.00
40	28.02	33.00
41	33.00	N/A

## MIL-STD-1553C

### 4.5.2.2 Terminals with direct coupled stubs

#### 4.5.2.2.1 Terminal output characteristics

The following characteristics shall be measured with  $R_L$ , as shown on [FIGURE 12](#), equal to 35.0 ohms  $\pm 2.0$  percent.

##### 4.5.2.2.1.1 Output levels

The terminal output voltage levels shall be measured using the test configuration shown on [FIGURE 12](#). The terminal output voltage shall be within the range of 6.0 to 9.0 V, peak-to-peak, line-to-line, when measured at point A on [FIGURE 12](#).

##### 4.5.2.2.1.2 Output waveform

The waveform, when measured at point A on [FIGURE 12](#), shall have zero crossing deviations which are equal to, or less than, 25.0 ns from the ideal crossing point, measured with respect to the previous zero crossing (i.e.,  $0.5 \pm 0.025 \mu\text{s}$ ,  $1.0 \pm 0.025 \mu\text{s}$ ,  $1.5 \pm 0.025 \mu\text{s}$  and  $2.0 \pm 0.025 \mu\text{s}$ ). The rise and fall time of this waveform shall be from 100.0 to 300.0 ns when measured from levels of 10 to 90 percent of full waveform, peak-to-peak, line-to-line, voltage as shown on [FIGURE 13](#). Any distortion of the waveform including overshoot and ringing shall not exceed  $\pm 300.0$  mV peak, line-to-line, as measured at point A on [FIGURE 12](#).

##### 4.5.2.2.1.3 Output noise

Any noise transmitted when the terminal is receiving or has power removed, shall not exceed a value of 5.0 mV, RMS, line-to-line, as measured at point A on [FIGURE 12](#).

##### 4.5.2.2.1.4 Output symmetry

From the time beginning 2.5  $\mu\text{s}$  after the mid-bit crossing of the parity bit of the last word transmitted by a terminal, the maximum voltage at point A on [FIGURE 12](#), shall be no greater than  $\pm 90.0$  mV peak, line-to-line. This shall be tested with the terminal transmitting the maximum number of words it is designed to transmit, up to 33. This test shall be run six times with each word in a contiguous block of words having the same bit pattern. The six word contents that shall be used are  $8000_{16}$ ,  $7FFF_{16}$ ,  $0000_{16}$ ,  $FFFF_{16}$ ,  $5555_{16}$ , and  $AAAA_{16}$ . The output of the terminal shall be as specified in [4.5.2.2.1.1](#) and [4.5.2.2.1.2](#).

#### 4.5.2.2.2 Terminal input characteristics

The following characteristics shall be measured independently.

##### 4.5.2.2.2.1 Input waveform compatibility

The terminal shall be capable of receiving and operating with the incoming signals specified herein, and shall accept waveform varying from a square wave to a sine wave with a maximum zero crossing deviation from the ideal with respect to the previous zero crossing of  $\pm 150$  ns, (i.e.,  $2.0 \pm 0.15 \mu\text{s}$ ,  $1.5 \pm 0.15 \mu\text{s}$ ,  $1.0 \pm 0.15 \mu\text{s}$ ,  $0.5 \pm 0.15 \mu\text{s}$ ). The terminal shall respond to an input signal whose peak-to-peak amplitude, line-to-line, is within the range of 1.2 to 20.0 V.



## MIL-STD-1553C

The terminal shall not respond to an input signal whose peak-to-peak amplitude, line-to-line, is within the range of 0.0 to 0.28 V. The voltages are measured at point A on [FIGURE 10](#).

### 4.5.2.2.2 Common mode rejections

Any signals from DC to 2.0 MHz, with amplitudes equal to or less than  $\pm 10.0$  V peak, line-to-ground, measured at point A on [FIGURE 10](#), shall not degrade the performance of the receiver.

### 4.5.2.2.3 Input impedance

The magnitude of the terminal input impedance, when the RT is not transmitting, or has power removed, shall be a minimum of 2000.0 ohms within the frequency range of 75.0 kHz to 1.0 MHz. This impedance is that measured line-to-line at point A on [FIGURE 10](#).

### 4.5.2.2.4 Noise rejection

The terminal shall exhibit a maximum word error rate of one part in  $10^7$ , on all words received by the terminal, after validation checks as specified in [4.4](#), when operating in the presence of additive white Gaussian noise distributed over a bandwidth of 1.0 kHz to 4.0 MHz at an RMS amplitude of 200 mV. A word error shall include any fault which causes the message error bit to be set in the terminal's status word, or one which causes a terminal to not respond to a valid command. The word error rate shall be measured with a 3.0 V peak-to-peak, line-to-line, input to the terminal as measured at point A on [FIGURE 10](#). The noise tests shall be run continuously until, for a particular number of failures, the number of words received by the terminal, including both command and data words, exceeds the required number for acceptance of the terminal, or is less than the required number for rejection of the terminal, as specified in [TABLE II](#). All data words used in the tests shall contain random bit patterns. These bit patterns shall be unique for each data word in a message, and shall change randomly from message to message.

## 4.6 Redundant data bus requirements

If redundant data buses are used, the requirements as specified in the following shall apply to those data buses.

### 4.6.1 Electrical isolation

All terminals shall have a minimum of 45 dB isolation between data buses. Isolation here means the ratio in dB between the output voltage on the active data bus and the output voltage on the inactive data bus. This shall be measured using the test configuration specified in [4.5.2.1.1](#) or [4.5.2.2.1](#) for each data bus. Each data bus shall be alternately activated with all measurements being taken at point A on [FIGURE 12](#) for each data bus.

### 4.6.2 Single event failures

All data buses shall be routed to minimize the possibility that a single event failure to a data bus shall cause the loss of more than that particular data bus.

### 4.6.3 Dual standby redundant data bus

If a dual redundant data bus is used, then it shall be a dual standby redundant data bus as specified in the following paragraphs.

## MIL-STD-1553C

### 4.6.3.1 Data bus activity

Only one data bus can be active at any given time except as specified in [4.6.3.2](#).

### 4.6.3.2 Superseding valid commands

If while operating on a command, a terminal receives another valid command, from the other data bus, it shall reset and respond to the new command on the data bus on which the new command is received. The terminal shall respond to the new command as specified in [4.3.3.8](#).

## 5. DETAILED REQUIREMENTS

(Not Applicable)

## 6. NOTES

(This section contains information of a general or explanatory nature that may be helpful, but is not mandatory.)

### 6.1 Intended use

MIL-STD-1553 is used to insure commonality and flexibility in designs of digital, command/response, time division multiplexing data busses within military systems.

### 6.2 Acquisition requirements.

Acquisition documents should specify the following:

- a. Title, number, and date of this standard.

### 6.3 Subject term (key word) listing

- Bit
- Cable coupling
- Data word
- Intermessage-gap
- Parity bit
- Remote terminal
- Symmetry
- Time division multiplexing

### 6.4 Other related documents

Several documents exist which are related to this standard. MIL-HDBK-1553 describes implementation practices for this standard and other related data. This standard is embodied in or referenced by the following international documents: NATO STANAG 3838, Digital Time Division command/Response Multiplex Data Bus, Allied Avionics Systems Publication AAVSP-02 (STANAG 7221), Broadband Real-Time Data Bus (B-RTDB), and UK DEF STAN 00-18 (PART 2)/Issue 1, A Family of compatible Digital Interface Standards.

## MIL-STD-1553C

### **6.5 International standardization agreement implementation**

This standard implements STANAG 3838, Digital Time Division Command/Response Multiplex Data Bus. When changes to, revision, or cancellation of this standard are proposed, the preparing activity must coordinate the action with the U.S. National Point of Contact for the international standardization agreement, as identified in the ASSIST database at <https://assist.dla.mil>.

### **6.6 Changes from previous issue**

The margins of this standard are marked with vertical lines to indicate where changes from the previous issue were made. This was done as a convenience only and the Government assumes no liability whatsoever for any inaccuracies in these notations. Bidders and contractors are cautioned to evaluate the requirements of this document based on the entire content irrespective of the marginal notations and relationship to the last previous issue.

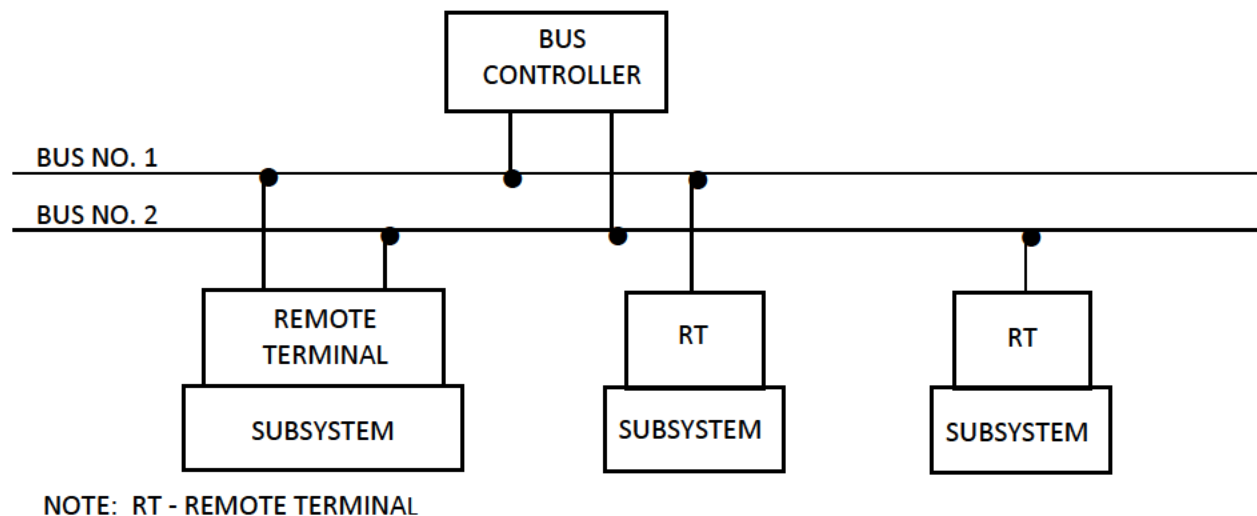
**MIL-STD-1553C  
APPENDIX A**

**A.1 SCOPE**

The following paragraphs in this appendix are presented in order to discuss certain aspects of the standard in a general sense. They are intended to provide a user of the standard more insight into the aspects discussed. This appendix is a mandatory part of the standard. The information contained herein is intended for compliance.

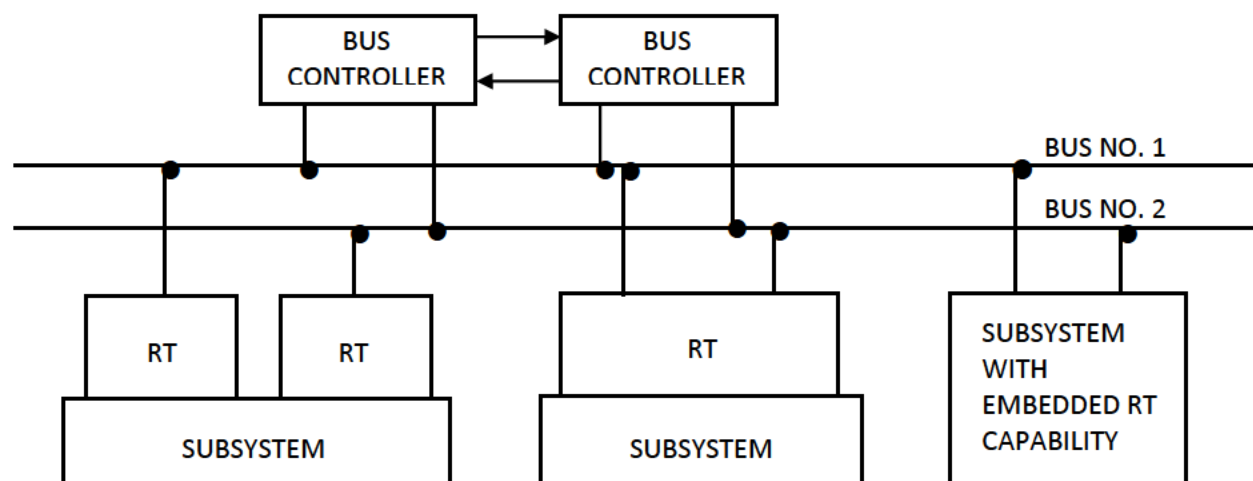
**A.1.1 Redundancy**

It is intended that this standard be used to support rather than to supplant the system design process. However, it has been found, through application experience in various aircraft, that the use of a dual standby redundancy technique is very desirable for use in integrating mission avionics. For this reason, this redundancy scheme is defined in 4.6 of this standard. None the less, the system designer should utilize this standard as the needs of a particular application dictate. The use of redundancy, the degree to which it is implemented, and the form which it takes must be determined on an individual application basis. [FIGURE A- 1](#) and [FIGURE A- 2](#) illustrate some possible approaches to dual redundancy. These illustrations are not intended to be inclusive, but rather representative. It should be noted that analogous approaches exist for the triple and quad redundant cases.



**FIGURE A-1. Illustration of possible redundancy.**

**MIL-STD-1553C  
APPENDIX A**



NOTE: RT - REMOTE TERMINAL

**FIGURE A-2. Illustration of possible redundancy.**

### A.1.2 Bus controller

The bus controller is a key part of the data bus system. The functions of the bus controller, in addition to the issuance of commands, must include the constant monitoring of the data bus and the traffic on the bus. It is envisioned that most of the routine minute details of bus monitoring (e.g., parity checking, terminal non-response time-out, etc.) will be embodied in hardware, while the algorithms for bus control and decision making will reside in software. It is also envisioned that, in general, the bus controller will be a general purpose computer with a special input/output (I/O) to interface with the data bus. It is of extreme importance in bus controller design that the bus controller be readily able to accommodate terminals of differing protocols and status word bits used. Equipment designed to MIL-STD-1553A will be in use for a considerable period of time; thus, bus controllers must be capable of adjusting to their differing needs. It is also important to remember that the bus controller will be the focal point for modification and growth within the multiplex system, and thus the software must be written in such a manner as to permit modification with relative ease.

### A.1.3 Multiplex selection criteria

The selection of candidate signals for multiplexing is a function of the particular application involved, and criteria will in general vary from system to system. Obviously, those signals which have bandwidths of 400 Hz or less are prime candidates for inclusion on the bus. It is also obvious that video, audio, and high speed parallel digital signals should be excluded. The area of questionable application is usually between 400 Hz and 3 kHz bandwidth. The transfer of

## MIL-STD-1553C

### APPENDIX A

these signals on the data bus will depend heavily upon the loading of the bus in a particular application. The decision must be based on projected future bus needs as well as the current loading. Another class of signals which in general are not suitable for multiplexing are those which can be typified by a low rate (over a mission) but possessing a high priority or urgency. Examples of such signals might be a nuclear event detector output or a missile launch alarm from a warning receiver. Such signals are usually better left hardwired, but they may be accommodated by the multiplex system if a direct connection to the bus controller's interrupt hardware is used to trigger a software action in response to the signal.

#### A.1.4 High reliability requirements

The use of simple parity for error detection within the multiplex bus system was dictated by a compromise between the need for reliable data transmission, system overhead, and remote terminal simplicity. Theoretical and empirical evidence indicates that an undetected bit error rate of  $10^{-12}$  can be expected from a practical multiplex system built to this standard. If a particular signal requires a bit error rate which is better than that provided by the parity checking, then it is incumbent upon the system designer to provide the reliability within the constraints of the standard or to not include this signal within the multiplex bus system. A possible approach in this case would be to have the signal source and sink provide appropriate error detection and correction encoding/decoding and employ extra data words to transfer the information. Another approach would be to partition the message, transmit a portion at a time, and then verify (by interrogation) the proper transfer of each segment.

#### A.1.5 Stubbing

Stubbing is the method wherein a separate line is connected between the primary data bus line and a terminal. The direct connection of a stub line causes a mismatch which appears on the waveforms. This mismatch can be reduced by filtering at the receiver and by using bi-phase modulation. Stubs are often employed not only as a convenience in bus layout but as a means of coupling a unit to the line in such a manner that a fault on the stub or terminal will not greatly affect the transmission line operation. In this case, a network is employed in the stub line to provide isolation from the fault. These networks are also used for stubs that are of such length that the mismatch and reflection degrades bus operation. The preferred method of stubbing is to use transformer coupled stubs, as defined in [4.5.1.5.1](#). This method provides the benefits of DC isolation, increased common mode protection, a doubling of effective stub impedance, and fault isolation for the entire stub and terminal. Direct coupled stubs, as defined in [4.5.1.5.2](#) of this standard, should be avoided if at all possible. Direct coupled stubs provide no DC isolation or common mode rejection for the terminal external to its subsystem. Further, any shorting fault between the subsystems internal isolation resistors (usually on a circuit board) and the main bus junction will cause failure of that entire bus. It can be expected that when the direct coupled stub length exceeds 1.6 feet that it will begin to distort the main bus waveforms. Note that this length includes the cable runs internal to a given subsystem.

## MIL-STD-1553C

### APPENDIX A

#### A.1.6 Use of broadcast option

The use of a broadcast message as defined in 4.3.3.6.7 of this standard represents a significant departure from the basic philosophy of this standard in that it is a message format which does not provide positive closed-loop control of bus traffic. The system designer is strongly encouraged to solve any design problems through the use of the three basic message formats without resorting to use of the broadcast option. If system designers do choose to use the broadcast command, they should carefully consider the potential effects of a missed broadcast message, and the subsequent implications for fault or error recovery design in the remote terminals and bus controllers.

#### A.2 GENERAL REQUIREMENTS

##### A.2.1 Option selection

This section of the appendix shall select those options required to further define portions of the standard to enhance tri-service interoperability. References in parentheses are to paragraphs in this standard which are affected.

##### A.2.2 Application

Section A.2 of this appendix shall apply to all dual standby redundant applications for the Army, Navy, and Air Force. All Air Force aircraft internal avionics applications shall be dual standby redundant, except where safety critical or flight critical requirements dictate a higher level of redundancy.

##### A.2.3 Unique address (4.3.3.5.1.2)

All remote terminals shall be capable of being assigned any unique address from decimal address 0 (00000) through decimal address 30 (11110). The address shall be established through an external connector, which is part of the system wiring and connects to the remote terminal. Changing the unique address of a remote terminal shall not require the physical modification or manipulation of any part of the remote terminal. The remote terminal shall, as a minimum, determine and validate its address during power-up conditions. No single point failure shall cause a terminal to validate a false address. The remote terminal shall not respond to any messages if it has determined its unique address is not valid.

##### A.2.4 Mode codes (4.3.3.5.1.7)

###### A.2.4.1 Subaddress/mode (4.3.3.5.1.4)

An RT shall have the capability to respond to mode codes with both subaddress/mode of 00000 and 11111. Bus controllers shall have the capability to issue mode commands with both subaddress/mode of 00000 and 11111. The subaddress/mode of 00000 and 11111 shall not convey different information.

**MIL-STD-1553C**  
**APPENDIX A**

**A.2.4.2 Required mode codes (4.3.3.5.1.7)**

**A.2.4.2.1 Remote terminal required mode codes**

An RT shall implement the following mode codes as a minimum:

Mode Code	Function
00010	Transmit status word
00100	Transmitter shutdown
00101	Override transmitter shutdown
01000	Reset remote terminal

**A.2.4.2.2 Bus controller required mode codes**

The bus controller shall have the capability to implement all of the mode codes as defined in [4.3.3.5.1.7](#). For Air Force applications, the dynamic bus control mode command shall never be issued by the bus controller.

**A.2.4.3 Reset remote terminal (4.3.3.5.1.7.9)**

An RT receiving the reset remote terminal mode code shall respond with a status word as specified in [4.3.3.5.1.7.9](#) and then reset. While the RT is being reset, the RT shall respond to a valid command with any of the following: no response on either data bus, status word transmitted with the busy bit set, or normal response. If any data is transmitted from the RT while it is being reset, the information content of the data shall be valid. An RT receiving this mode code shall complete the reset function within 5.0 milliseconds following transmission of the status word specified in [4.3.3.5.1.7.9](#). The time shall be measured from the mid-bit zero crossing of the parity bit of the status word to the mid-sync zero crossing of the command word at point A on [FIGURE 9](#) and [FIGURE 10](#).

**A.2.4.4 Initiate RT self test (4.3.3.5.1.7.4)**

If the initiate self test mode command is implemented in the RT, then the RT receiving the initiate self test mode code shall respond with a status word as specified in [4.3.3.5.1.7.4](#) and then initiate the RT self test function. Subsequent valid commands may terminate the self-test function. While the RT self test is in progress, the RT shall respond to a valid command with any of the following: no response on either data bus, status word transmitted with the busy bit set, or normal response. If any data is transmitted from the RT while it is in self test, the information content of the data shall be valid. An RT receiving this mode code shall complete the self test function and have the results of the self test available within 100.0 milliseconds following transmission of the status word specified in [4.3.3.5.1.7.4](#). The time shall be measured from the mid-bit zero crossing of the parity bit of the status word to the mid-sync zero crossing of the command word at point A on [FIGURE 9](#) and [FIGURE 10](#).



**MIL-STD-1553C**  
**APPENDIX A**

**A.2.5 Status word bits (4.3.3.5.3)**

**A.2.5.1 Information content**

The status word transmitted by an RT shall contain valid information at all times, e.g., following RT power up, during initialization, and during normal operation.

**A.2.5.2 Status bit requirements (4.3.3.5.3)**

An RT shall implement the status bits as follows:

Message error bit	(4.3.3.5.3.3)	Required
Instrumentation bit	(4.3.3.5.3.4)	Always logic zero
Service request bit	(4.3.3.5.3.5)	Optional
Reserved status bits	(4.3.3.5.3.6)	Always logic zero
Broadcast command received bit	(4.3.3.5.3.7)	If the RT implements the broadcast option, then this bit shall be required
Busy bit	(4.3.3.5.3.8)	As required by <a href="#">A.2.5.3</a>
Subsystem flag bit	(4.3.3.5.3.9)	If an associated subsystem has the capability for self test, then this bit shall be required
Dynamic bus control acceptance bit	(4.3.3.5.3.10)	If the RT implements the dynamic bus control function, then this bit shall be required
Terminal flag bit	(4.3.3.5.3.11)	If an RT has the capability for self test, then this bit shall be required

**A.2.5.3 Busy bit (4.3.3.5.3.8)**

The existence of busy conditions is discouraged. However, any busy condition, in the RT or the subsystem interface that would affect communication over the bus shall be conveyed via the busy bit. Busy conditions, and thus the setting of the busy bit, shall occur only as a result of particular commands/ messages sent to an RT. Thus for a non-failed RT, the bus controller can, with prior knowledge of the remote terminal characteristics, determine when the remote terminal can become busy and when it will not be busy. However, the RT may also set the busy bit (in addition to setting the terminal flag bit or subsystem flag bit) as a result of failure/fault conditions within the RT/subsystem.

**A.2.6 Broadcast (4.3.3.6.7)**

The only broadcast commands allowed to be transmitted on the data bus by the bus controller shall be the broadcast mode commands identified in [TABLE I](#). The broadcast option may be implemented in remote terminals. However, if implemented, the RT shall be capable of distinguishing between a broadcast and a non-broadcast message to the same subaddress for non-mode command messages. The RT address of 11111 is still reserved for broadcast and shall not be used for any other purpose.

## MIL-STD-1553C

### APPENDIX A

#### **A.2.7 Data wrap-around (4.3.3.5.1.4)**

Remote terminals shall provide a receive subaddress to which one to N data words of any bit pattern can be received. Remote terminals shall provide a transmit subaddress from which a minimum of N data words can be transmitted. N is equal to the maximum word count from the set of all messages defined for the RT. A valid receive message to the data wrap-around receive subaddress followed by a valid transmit command to the data wrap-around transmit subaddress, with the same word count and without any intervening valid commands to that RT, shall cause the RT to respond with each data word having the same bit pattern as the corresponding received data word. A data wrap-around receive and transmit subaddress of 30 (11110) is desired.

#### **A.2.8 Message formats (4.3.3.6)**

Remote terminals shall, as a minimum, implement the following non-broadcast message formats as defined in 4.3.3.6: RT to BC transfers, BC to RT transfers, RT to RT transfers (receive and transmit), and mode command without data word transfers. For non-broadcast messages, the RT shall not distinguish between data received during a BC to RT transfer or data received during a RT to RT transfer (receive) to the same subaddress. The RT shall not distinguish between data to be transmitted during an RT to BC transfer or data to be transmitted during an RT to RT transfer (transmit) from the same subaddress. Bus controllers shall have the capability to issue all message formats defined in 4.3.3.6.

#### **A.2.9 RT to RT validation (4.3.3.9)**

For RT to RT transfers, in addition to the validation criteria specified in 4.4.3.6, if a valid receive command is received by the RT and the first data word is received after  $57.0 \pm 3.0$  microseconds, the RT shall consider the message invalid and respond as specified in 4.4.3.6. The time shall be measured from the mid-bit zero crossing of the parity bit of the receive command to the mid-sync zero crossing of the first expected data word at point A as shown on [FIGURE 9](#) and [FIGURE 10](#). It is recommended that the receiving RT of an RT to RT transfer verify the proper occurrence of the transmit command word and status word as specified in 4.3.3.6.3.

#### **A.2.10 Electrical characteristics (4.5)**

##### **A.2.10.1 Cable shielding (4.5.1.1)**

The cable shield shall provide a minimum of 90.0 percent coverage.

##### **A.2.10.2 Shielding (4.5.1)**

All cable to connector junctions, cable terminations, and bus-stub junctions shall have continuous 360 degree shielding which shall provide a minimum of 75.0 percent coverage.

##### **A.2.10.3 Connector polarity**

For applications that use concentric connectors or inserts for each bus, the center pin of the connector or insert shall be used for the high (positive) Manchester bi-phase signal. The inner ring shall be used for the low (negative) Manchester bi-phase signal.

## MIL-STD-1553C

### APPENDIX A

#### **A.2.10.4 Characteristic impedance (4.5.1.2)**

The actual (not nominal) characteristic impedance of the data bus cable shall be within the range of 70.0 ohms to 85.0 ohms at a sinusoidal frequency of 1.0 megahertz.

#### **A.2.10.5 Stub coupling (4.5.1.5)**

For Navy applications, each terminal shall have both transformer and direct coupled stub connections externally available. For Navy systems using these terminals, either transformer or direct coupled connections may be used. For Army and Air Force applications, each terminal shall have transformer coupled stub connections, but may also have direct coupled stub connections. For Army and Air Force systems, only transformer coupled stub connections shall be used. Unused terminal connections shall have a minimum of 75 percent shielding coverage.

#### **A.2.10.6 Power on/off noise**

A terminal shall limit any spurious output during a power-up or power-down sequence. The maximum allowable output noise amplitude shall be  $\pm 250$  mV peak, line-to-line for transformer coupled stubs and  $\pm 90$  mV peak, line-to-line for direct coupled stubs, measured at point A of [FIGURE 12](#).

## MIL-STD-1553C

### CONCLUDING MATERIAL

Custodians:

Army – CR

Navy – AS

Air Force – 11

Preparing Activity:

Air Force – 11

(Project AVCS-2017-002)

Reviewers:

Army – AC, AM, AR, AT, AV, CE, GL, MD, MI, PT, TE

Navy – CG, EC, OS, SH, YD

DTRA – DS

NSA - NS

NOTE: The activities listed above were interested in this document as of the date of this document. Since organizations and responsibilities can change, you should verify the currency of the information above using the ASSIST Online database at <https://assist.dla.mil/>.